

ELECTRICAL EQUIPMENT

FOR XK.150 MODELS FITTED WITH STANDARD TRANSMISSION

Part No.	Description	Plate No.	No. per Unit	Remarks
C.5453	DYNAMO (22462/E—C45.PVS/5)	76- 1	1	Fitted from Chassis No. 820001 to 820042 830001 to 832087 827001 to 827272 837001 to 838258 824001 to 824899 834001 to 836221
2784	Brush (238240)		1 set	
2779	Spring for Brush Tension (238062)		1 set	
5921	Bracket for Commutator End (239265)		1	
2754	Bearing for C.E. Bracket (189237)		1	
5919	Bracket for Driving End (239012)		1	
2757	Bearing for D.E. Bracket (189308)		1	
2749	Nut, Commutator Shaft (180620)		1	
6508	Washer, under Nut (185187)		1	
2791	Armature (239190)		1	
2789	Field Coil (238820)		1 set	
6510	Terminal (227625)		1	
6511	Insulating Tube for Terminal (857692)		1	
7911	Bolt, through fixing (272752)		2	
FW.105/T	Washer, Plain, at Dynamo Mounting		1	
C.15255	DYNAMO (22496/B—C45.PVS/6)	76- 1	1	Fitted to Chassis No. 820043 and subs. 832088 and subs. 827273 and subs. 838259 and subs. 824900 and subs. 836222 and subs.
6502	Cover Band (227015)		1	
7906	Brush (54010090)		1 set	
7907	Spring for Brush Tension (54210091)		1 set	
8230	Bracket for Commutator End (54210072)		1	
2754	Bearing for C.E. Bracket (189237)		1	
5919	Bracket for Drive End (239012)		1	
2757	Bearing for D.E. Bracket (189308)		1	
2749	Nut, Commutator Shaft (180620)		1	
6508	Washer, under Nut (185187)		1	
8233	Armature (239511)		1	
2789	Field Coil (238820)		1 set	
6510	Terminal (227625)		1	
6511	Insulation Tube for Terminal (857692)		1	
7911	Bolt, through fixing (272752)		2	
FW.105/T	Washer, Plain, at Dynamo Mounting		1	
C.7427	DYNAMO PULLEY	76- 2	1	Fitted from Engine No. V.1001 to V.1598
C.13594	DYNAMO PULLEY	76- 2	1	Fitted from Engine No. V.1599 to V.5731
C.14590	DYNAMO PULLEY	76- 2	1	Fitted to Engine No. V.5732 and subs.

ELECTRICAL EQUIPMENT

FOR XK.150 MODELS FITTED WITH STANDARD TRANSMISSION

Part No.	Description	Plate No.	No. per Unit	Remarks
C.7428	FAN FOR DYNAMO PULLEY	76- 3	1	
UCS.131/8R	Screw, Set, securing Dynamo Belt Tension		1	
C.5454	Nut, on Setscrew		1	
C.2746/1	STARTER MOTOR (26062/A—M.45G)	76- 4	1	
7007	Cover Band (270294)		1	
6503	Screw, securing Cover Band (127580)		1	
6504	Nut, on Screw (169160)		1	
6545	Cap, protecting end of Shaft (255854)		1	
2804	Brush (255659)		1 set	
6653	Bracket, Commutator End (271305)		1	
2801	Bushing C.E. Bracket (255491)		1	
5923	Bracket, for Driving End (271458)		1	
2812	Bushing D.E. Bracket (270038)		1	
2811	Spring for Brush Tension (270004)		1 set	
2820	Main Spring (291043)		1	
2822	Pinion and Sleeve (291101)		1	
2825	Spring, retaining Pinion (291541)		1	
2824	Drive, complete, for Starter Motor (291380)		1	
2817	Armature (270532)		1	
2819	Field Coil (271306)		1 set	
7178	Terminal for Field Coil (255835)		1	
6550	Bolt, through fixing (255459)		2	
NB.137/13D	Bolt, lower, securing Starter Motor		1	
NB.137/12D	Bolt, upper, securing Starter Motor		1	
NN.137/L	Nut, on Bolts		2	
FG.106/X	Washer, Spring, under Nuts		2	
C.2692	SOLENOID FOR STARTER MOTOR (76411/E—ST950)	76- 5	1	
UFS.119/4R	Screw, Set, securing Solenoid to Dash		2	
C.723/A	Washer, Shakeproof, on Setscrews		2	
UFN.119/L	Nut, on Setscrews		2	
C.4650	Rubber Boot, on Terminals	76- 6	2	
C.8749	IGNITION COIL (45067/D—HA12)	76- 7	1	
C.5451	Nut, in centre of Coil, for attachment of Ignition Cable (408120)		1	
C.5452	Washer (Copper) for connection to end of Ignition Cable (185015)		1	
6472	Terminal Nut (166043)		2	
C.723/A	Washer, Shakeproof, under Nuts		2	

ELECTRICAL EQUIPMENT

FOR XK.150 MODELS FITTED WITH STANDARD TRANSMISSION

Part No.	Description	Plate No.	No. per Unit	Remarks
C.13327	BRACKET ASSEMBLY MOUNTING IGNITION COIL		1	
UFN.125/L FW.104/T C.724	Nut, securing Coil Washer, Plain, under Nuts Washer, Shakeproof, under Nuts		2 2 2	
C.12732	DISTRIBUTOR (40576/B—DMBZ.6A)	76- 8	1	FOR 3.4 LITRE ENGINES WITH 8 : 1 COMPRESSION RATIO.
C.11906	Nut, for connection of High Tension Cables (410600)	76- 9	7	
C.5452	Washer (Copper) for end of High Tension Cables (185015)	76-10	7	
6476	Clamping Plate (423605)		1	
6477	Screw (415087)		1	
6478	Cap (418857)	76-11	1	
6479	Brush and Spring, inside Cap (418856)	76-12	1	
6060	Rotor (418726)	76-13	1	
C.11990	Contact Set (420197)	76-14	1	
C.11991	Condenser (423871)	76-15	1	
6480	Base Plate (419980)		1	
6481	Bearing for Base Plate (420375)		1	
6482	Star Spring (496058)		1	
6483	Circlip fixing Base (496059)		1	
6484	Terminal Pin, Low Tension (407019)		1	
6485	Insulating Bush, Low Tension Terminal (408927)		1	
6486	Insulating Piece, Low Tension Terminal (405319)		1	
6487	Insulating Bush (419950)		1	
6488	Lead, Low Tension (419021)	76-16	1	
6489	Lead, Earth (419023)	76-17	1	
6491	Cam (496079)		1	
7179	Springs, Auto Advance (424950)		1 set	
6493	Weight, Auto Advance (410033/S)		2	
6804	Shaft and Action Plate (419741)		1	
6495	Knurled Nut, adjusting Vacuum Control (419087)		1	
6496	Spring Ratchet (421825)		1	
6497	Return Spring (419086)		1	
8234	Vacuum Unit (421027)		1	
2755	Bearing (189272)		1	
6499	Bush (419673)		1	
7177	Clip, securing Cap (421824)		2	
6501	Oil Seal (418723)		1	
2943	Driving Dog (410601)		1	
C.12733	DISTRIBUTOR (40578/D—DMBZ.6A)	76- 8	1	FOR 3.4 LITRE ENGINES WITH 7 : 1 COMPRESSION RATIO.
7213	Springs, Auto Advance (425183)		1 set	
6805	Vacuum Unit (424374)		1	
	Other items as for Distributor C.12732			
C.14269	DISTRIBUTOR (40617A/D—DMBZ.6A)	76- 8	1	FOR 3.4 LITRE ENGINES WITH 9 : 1 COMPRESSION RATIO.
8235	Springs, Auto Advance (54410416)		1 set	
8395	Vacuum Unit (54412348)		1	
	Other items as for Distributor C.12732			

ELECTRICAL EQUIPMENT

FOR XK.150 MODELS FITTED WITH STANDARD TRANSMISSION

Part No.	Description	Plate No.	No. per Unit	Remarks
C.14533	DISTRIBUTOR (40640A/B—DMBZ.6A)	76- 8	1	FOR 3.8 LITRE ENGINES WITH 8 : 1 COMPRESSION RATIO.
7213	Springs, Auto Advance (425183)		1 set	
7983	Vacuum Unit (54410709)		1	
	Other items as for Distributor C.12732			
C.14534	DISTRIBUTOR (40665A/B—DMBZ.6A)	76- 8	1	FOR 3.8 LITRE ENGINES WITH 9 : 1 COMPRESSION RATIO.
8239	Springs, Auto Advance (54411290)		1 set	
8240	Vacuum Unit (421189)		1	
	Other items as for Distributor C.12732			
C.12336	SUCTION PIPE FOR DISTRIBUTOR VACUUM UNIT		1	} Fitted from Chassis No. 820001 to 820016 830001 to 831898 827001 to 827271 837001 to 837940 824001 to 824741 834001 to 835934
5040	Olive, for Connection of Suction Pipe to Front Carburetter		1	
5001	Union Nut, securing Suction Pipe to Front Carburetter		1	
C.14210	SUCTION PIPE FOR DISTRIBUTOR VACUUM UNIT		1	} Fitted to Chassis No. 820017 and subs. 831899 and subs. 827272 and subs. 837941 and subs. 824742 and subs. 835935 and subs.
C.14212	Neoprene Pipe for connection of Suction Pipe to Front Carburetter		1	
C.9688/1	PETROL PUMP (4644/1—AUA.52)	76-18	1	
1833	Gasket under Lids (AUA.4646)		4	
1272	Spring, on Diaphragm, for Armature (AUA.1785)		2	
5846	Filter (AUA.4647)		2	
6046	Rocker and Blade Assembly (Double Contact) (AUA.6021)	76-19	2	
7664	Condenser (AUA.5060)	76-20	2	
7665	Clip, holding Condenser (AUA.5059)	76-21	2	
7666	End Cover (AUA.5078)	76-22	2	
C.800	Stud, for mounting of Petrol Pump		2	
C.2539/1	Nut, on Studs		2	
FW.205/T	Washer, Plain, under Nuts		4	
BD.541/5	Special Washer under Nuts		4	
C.974	Grommet for Petrol Pump Mounting		2	
C.2895	Earth Cable, for Petrol Pump (859449)		1	
UFS.125/4R	Screw, Set, securing Earth Cable		1	
UFN.125/L	Nut, on Setscrew		1	
C.724	Washer, Shakeproof, under Nut		1	
FW.104/T	Washer, Plain, under Shakeproof Washer		1	

ELECTRICAL EQUIPMENT

FOR XK.150 MODELS FITTED WITH STANDARD TRANSMISSION

Part No.	Description	Plate No.	No. per Unit	Remarks
C.8821	CONTROL BOX (37189/J—RB.310)	76-23	1	} Fitted from Chassis No. 820001 to 820042 830001 to 832087 827001 to 827272 837001 to 838258 824001 to 824899 834001 to 836221
7181	Cover (335610)		1	
7182	Screw, securing Cover (335544)		2	
7183	Resistance (335987)		1	
7184	Terminal Screw (126490)		3	
7918	Rubber Gasket (335563)		1	
C.15257	CONTROL BOX (37297/F—RB.310)	76-23	1	} Fitted to Chassis No. 820043 and subs. 832088 and subs. 827273 and subs. 838259 and subs. 824900 and subs. 836222 and subs.
7912	Cover (54380178)		1	
7913	Screw, securing Cover (198886)		2	
7914	Resistance (54380099)		1	
7915	Terminal Screw (54127518)		3	
7916	Rubber Gasket (226479)		1	
UFS.125/SR C.724	Screw, Set, securing Control Box to Dash Washer, Shakeproof, on Setscrews		3 3	
C.12862	BRACKET ASSEMBLY, MOUNTING FUSE BOXES	76-24	1	
UFS.119/4R UFN.119/L C.723/A	Screw, Set, securing Bracket to Dash Nut, on Setscrews Washer, Shakeproof, under Nuts		4 4 4	
C.2531	FUSE BOX (37263/B—SF4)	76-25	1	
C.5638	Fuse, 35 amp. (188218)		1	
C.13932	Fuse, 50 amp. (188219)		1	
6471	Terminal Screw (121610)		5	
C.16510	FUSE BOX (54038000—SF6)	76-26	1	
C.5638	Fuse, 35 amp. (188218)		2	
C.13932	Fuse, 50 amp. (188219)		2	
6471	Terminal Screw (121610)		5	
UFS.319/6H C.1094 BD.5818	Screw, Set, securing Fuse Box to Mounting Bracket Distance Piece, on Setscrews Distance Piece, on Setscrews		4 2 2	
C.12864	COVER OVER FUSE BOX	76-27	1	

ELECTRICAL EQUIPMENT

FOR XK.150 MODELS FITTED WITH STANDARD TRANSMISSION

Part No.	Description	Plate No.	No. per Unit	Remarks
C.12837	TERMINAL BLOCK (37101)	76-27A	1	
UFS.319/6H	Screw, Set, securing Terminal Block		2	
C.5550	Stud, in Fuse Box, for fixing of Cover	76-28	1	
C.5549	Knob, securing Cover	76-29	1	
C.13998	Fuse Label		1	
BD.13106	BRACKET ASSEMBLY, L.H., FOR MOUNTING OF INSTRUMENT PANEL		1	
BD.13107	BRACKET ASSEMBLY, R.H., FOR MOUNTING OF INSTRUMENT PANEL		1	
BD.13100	ATTACHMENT BRACKET, FOR FIXING OF MOUNTING BRACKETS		2	
UFS.125/4R	Screw, Set, securing Mounting Brackets to Attachment Brackets and Attachment Brackets to Dash		8	
UFS.125/5R	Screw, Set, securing Instrument Panel to Mounting Brackets		2	
C.724	Washer, Shakeproof, on Setscrews		10	
FW.104/T	Washer, Plain, under Shakeproof Washer		10	
C.12824	INSTRUMENT PANEL ASSEMBLY (30228/E)		1	Fitted from Chassis No. 830001 to 830438 827001 to 827071 837001 to 837433 824001 to 824419 834001 to 835565
C.5461	Starter Switch (31253/B—SS.9)		1	
C.5506	Screen Wiper Switch (31427/A—PRS.7)		1	
C.9647	Panel Light Switch (31528/A—PS.9)		1	
C.5459	Ignition Switch (31287/B—S.45)		1	
C.9650	Heater Motor Switch (31529/A—PS.9)		1	
C.12603	Ammeter (36237/A—BM.4)		1	

ELECTRICAL EQUIPMENT

FOR XK.150 MODELS FITTED WITH STANDARD TRANSMISSION

Part No.	Description	Plate No.	No. per Unit	Remarks
C.14181	INSTRUMENT PANEL ASSEMBLY (30239/A)	76-30	1	Fitted to Chassis No. 820001 and subs. 830439 and subs. 827072 and subs. 837434 and subs. 824420 and subs. 835566 and subs.
C.5461	Starter Switch (31523/B—SS.9)	76-31	1	
C.5506	Screen Wiper Switch (31427/A—PRS.7)	76-32	1	
C.9647	Panel Light Switch (31528/A—PS.9)	76-33	1	
C.5459	Ignition Switch (31287/B—S.45)	76-34	1	
C.4543	Heater Motor Switch (Rheostat) (78262/B—CHR.1)	76-35	1	
C.12603	Ammeter (36237/A—BM.4)	76-36	1	
BD.10610	Barrel, for Ignition Switch (WB.1/6545)		1	
C.15667	Adaptor Plate fixing Ignition Switch (54331292)		1	
C.9117	ROAD LIGHTS SWITCH (31524/A—PRS.7)	76-37	1	} NOT REQUIRED FOR CARS EXPORTED TO U.S.A.
C.9118	Escutcheon for Road Lights Switch (305604)	76-38	1	
C.5481	Lever, operating Switch (317603)	76-39	1	
C.5577	ROAD LIGHTS SWITCH (31426/A—PRS.7)		1	} REQUIRED FOR CARS EXPORTED TO U.S.A.
C.8165	Escutcheon for Road Lights Switch (305608)		1	
C.5481	Lever, operating Switch (317603)		1	
C.9649	INTERIOR LIGHT SWITCH (31527/A—PS.9)	76-40	1	REQUIRED ONLY FOR FIXED HEAD AND DROP HEAD COUPES.
CHROME EYELETS FOR SWITCHES ON INSTRUMENT PANEL				
C.2763	Eyelet, for Road Lights Switch (304803)	76-41	1	
C.4630	Eyelet, for Starter, Panel, Interior and Heater Switches (305544)	76-42	4	
C.5465	Eyelet, for Ignition Switch (312169)	76-43	1	
C.4631	Eyelet, for Cigar Lighter (305415)	76-44	1	
KNOBS FOR SWITCHES ON INSTRUMENT PANEL				
C.9646	Knob, for Screen Wiper Switch (312163)	76-45	1	
C.5485	Knob, for Heater Rheostat Switch (768472)	76-46	1	
C.4622	Knob, for Starter Switch (317365)	76-47	1	

ELECTRICAL EQUIPMENT

FOR XK.150 MODELS FITTED WITH STANDARD TRANSMISSION

Part No.	Description	Plate No.	No. per Unit	Remarks
987	BULB, FOR ILLUMINATION OF INSTRUMENTS (2.2 watt) (987)		4	
C.12605	THERMOMETER AND OIL PRESSURE GAUGE (GD 1600/02)	76-48	1	
C.9621 C.2296/1	Union, for Thermometer Bulb Washer, Copper, on Union		1 1	
C.12817	PETROL GAUGE (FG.2636/01)	76-49	1	
987	Bulb (2.2 watt) for low fuel contents Warning Light		1	
C.12728	MARK I SPEEDOMETER (Z46776) (CALIBRATED IN MILES)		1	SUITABLE FOR FIXED HEAD COUPE AND DROP HEAD COUPE MODELS FITTED WITH 3.54 : 1 REAR AXLE RATIO.
C.12729	MARK I SPEEDOMETER (Z46777) (CALIBRATED IN KILOS)		1	SUITABLE FOR FIXED HEAD COUPE AND DROP HEAD COUPE MODELS FITTED WITH 3.54 : 1 REAR AXLE RATIO.
C.12808	MARK I SPEEDOMETER (Z46770) (CALIBRATED IN MILES)		1	SUITABLE FOR FIXED HEAD COUPE AND DROP HEAD COUPE MODELS FITTED WITH 3.31 : 1 REAR AXLE RATIO.
C.12809	MARK I SPEEDOMETER (Z46771) (CALIBRATED IN KILOS)		1	SUITABLE FOR FIXED HEAD COUPE AND DROP HEAD COUPE MODELS FITTED WITH 3.31 : 1 REAR AXLE RATIO.
987	Bulb (2.2 watt) for Ignition and Headlamp Beam Warning Lights		2	
	NOTE.—To ensure that the correct Speedometer is supplied by Jaguar Spares Department, IT IS IMPORTANT WHEN ORDERING to quote the number printed on the dial of the displaced instrument			
	On some specially calibrated instruments, the number is printed on the back of the speedometer Casing			

ELECTRICAL EQUIPMENT

FOR XK.150 MODELS FITTED WITH STANDARD TRANSMISSION

Part No.	Description	Plate No.	No. per Unit	Remarks
C.13023	MARK I REMOTE CONTROL OPERATING TRIP MILEAGE RECORDER ON SPEEDOMETER (41-741-122-00)		1	
C.14040	MARK II SPEEDOMETER (SN6364/06) (CALIBRATED IN MILES)	76-50	1	SUITABLE FOR ALL CARS FITTED WITH 3.54 : 1 REAR AXLE RATIO.
C.14041	MARK II SPEEDOMETER (SN6364/07) (CALIBRATED IN KILOS)		1	SUITABLE FOR ALL CARS FITTED WITH 3.54 : 1 REAR AXLE RATIO.
C.14042	MARK II SPEEDOMETER (SN6364/00) (CALIBRATED IN MILES)	76-50	1	SUITABLE FOR ALL CARS FITTED WITH 3.31 : 1 REAR AXLE RATIO.
C.14043	MARK II SPEEDOMETER (SN6364/01) (CALIBRATED IN KILOS)		1	SUITABLE FOR ALL CARS FITTED WITH 3.31 : 1 REAR AXLE RATIO.
987	Bulb (2.2 watt) for Ignition and Headlamp Beam Warning Lights		2	
	NOTE.—To ensure that the correct Speedometer is supplied by Jaguar Spares Department, IT IS IMPORTANT WHEN ORDERING to quote the number printed on the dial of the displaced instrument			
	On some specially calibrated instruments, the number is printed on the back of the speedometer Casing			
C.13025	MARK II REMOTE CONTROL OPERATING TRIP MILEAGE RECORDER ON SPEEDOMETER (41-741-152-00)		1	
C.8303	FLEXIBLE SPEEDOMETER CABLE COMPLETE (DF.1112/00/60)	76-51	1	
6268	Inner Cable (DI.1110/01/60)		1	
6269	Outer Cable (DO.1112/00/60)		1	

ELECTRICAL EQUIPMENT

FOR XK.150 MODELS FITTED WITH STANDARD TRANSMISSION

Part No.	Description	Plate No.	No. per Unit	Remarks
C.12606	CABLE OPERATED REV. COUNTER AND CLOCK (RN.7460/00)		1	} Fitted from Chassis No. 827001 to 827068 837001 to 837414 824001 to 824413 834001 to 835547
987	Bulb (2.2 watt) for Direction Indicator Warning Lights		2	
C.14052	CABLE OPERATED REV. COUNTER AND CLOCK (RN.7461/00)	76-52	1	} Fitted from Chassis No. 820001 to 820042 830001 to 832087 827069 to 827372 837415 to 838271 824414 to 824904 835548 to 836232
987	Bulb (2.2 watt) for Direction Indicator Warning Lights		2	
C.12860	REV. COUNTER CABLE (DF.1110/06/16)	76-53	1	} Fitted from Chassis No. 820001 to 820042 830001 to 832087 827001 to 827372 837001 to 838271 824001 to 824904 834001 to 836232
7353	Inner Cable (DI/1110/00/16)		1	
7354	Outer Cable (DO/1110/06/16)		1	
C.9914	ANGLE DRIVE GEARBOX (BG.1301/00)		1	
C.14994	ELECTRIC REV. COUNTER AND CLOCK (RV.7402/00)		1	} Fitted to Chassis No. 820043 and subs. 832088 and subs. 827373 and subs. 838272 and subs. 824905 and subs. 836233 and subs.
987	Bulb (2.2 watt) for Direction Indicator Warning Lights		1	
C.13629	REMOTE CONTROL FOR CLOCK (41-241-122-00)		1	
C.2012/1	Screw, Set, mounting Instruments		10	
C.723/A	Washer, Shakeproof, on Setscrews		10	
C.14996	GENERATOR FOR ELECTRIC REV. COUNTER (TV.1100/00)		1	Fitted to Chassis No. 820043 and subs. 832088 and subs. 827373 and subs. 838272 and subs. 824905 and subs. 836233 and subs.

ELECTRICAL EQUIPMENT

FOR XK.150 MODELS FITTED WITH STANDARD TRANSMISSION

Part No.	Description	Plate No.	No. per Unit	Remarks
C.11677	THERMOSTATIC CIGAR LIGHTER COMPLETE (EL.2404/02)	76-54	1	
C.11677/1	Body only		1	
C.5631/2	Element		1	
C.8407	PETROL TANK ELEMENT UNIT (Y.86030)	77- 1	1	
C.937	Gasket for Element Unit	77- 2	1	
C.9653	SWITCH BEHIND DOOR HINGES OPERATING INTERIOR LIGHTS (S35122)	77- 3	2	} FOR FIXED HEAD AND DROP HEAD COUPES ONLY.
UFN.131/L	Nut, securing Switches		2	
C.725	Washer, Shakeproof, under Nuts		2	
C.14273	Distance Piece, on Switch		2	
C.5525	HEADLAMP COMPLETE (51762/A—J.700)		2	FOR R.H. DRIVE CARS ONLY.
5299	Outer Rim (554903)	77- 4	2	
5294	Screw, securing Outer Rim (552796)	77- 5	2	
5293	Rubber Excluder Seal (554459)	77- 6	2	
5301	Plate, retaining Light Unit (554906)	77- 7	2	
5221	Screw, securing Unit Rim (186137)		6	
5303	Light Unit (555709)	77- 8	2	
5302	Seating Rim (554907)	77- 9	2	
5298	Bulb Holder (554855)	77-10	2	
4570	Bulb, 60/36 watt (404)		2	
6670	Backshell for Light Unit (554909)		2	
6668	Spring Clip, retaining Bulb (534488)		2	
8371	Trimmer Screw, for focusing of Light Unit (552708)	77-11	6	
3436	Spring, on Trimmer Screws (552813)	77-12	6	
3461	Rubber Gasket, between Headlamp and Front Wings (553955)	77-13	2	
C.5526	HEADLAMP COMPLETE (51763/A—J.700)		2	FOR L.H. DRIVE CARS ONLY.
5304	Light Unit (555710)		2	
C.8904	Bulb, 60/36 watt (406)		2	

All other items as for Headlamp C.5525

ELECTRICAL EQUIPMENT

FOR XK.150 MODELS FITTED WITH STANDARD TRANSMISSION

Part No.	Description	Plate No.	No. per Unit	Remarks
C.5530	HEADLAMP COMPLETE (51507/A—PF.700)		2	FOR CONTINENTAL CARS ONLY.
5305	Light Unit (554917)		2	
C.5510	Bulb, 45/40 watt (370)		2	
6057	Bulb Holder (554602)		2	
C.12194	Terminal Sleeve for Bulb Holder (188818)		2	
All other items as for Headlamp C.5525				
C.5626	HEADLAMP COMPLETE (51564/B—PF.700)		2	FOR CARS EXPORTED TO NORWAY, SWEDEN AND GERMANY.
3469	Light Unit (554665)		2	
C.5514	Bulb (350)		2	
6057	Bulb Holder (554602)		2	
C.12194	Terminal Sleeve for Bulb Holder (188818)		2	
All other items as for Headlamp C.5525				
C.5625	HEADLAMP COMPLETE (51565/A—F.700)		2	FOR CARS EXPORTED TO SWITZERLAND AND HOLLAND.
3469	Light Unit (554665)		2	
6057	Bulb Holder (554602)		2	
C.5510	Bulb (370)		2	
All other items as for Headlamp C.5525				
C.5627	HEADLAMP COMPLETE (51563/A—F.700/EF)		2	FOR CARS EXPORTED TO FRANCE.
5306	Light Unit (555288)		2	
6527	Backshell (552943)		2	
3470	Bulb Holder (562303)		2	
371	Bulb, 45/36 watt (Yellow) (372)		2	
All other items as for Headlamp C.5525				
C.5623	HEADLAMP COMPLETE (51562/A—F.700)		2	} REQUIRED FOR CARS EXPORTED TO U.S.A. from Chassis No. 830001 to 832137 837001 to 838903 834001 to 836854
3454	Bulb Adaptor (553724)		2	
All other items as for Headlamp C.5525 EXCEPT THAT LIGHT UNIT AND BULB ARE NOT SUPPLIED FOR U.S.A.				

ELECTRICAL EQUIPMENT

FOR XK.150 MODELS FITTED WITH STANDARD TRANSMISSION

Part No.	Description	Plate No.	No. per Unit	Remarks
C.16961	HEADLAMP ASSEMBLY (58669/A—F.700)		2	REQUIRED FOR CARS EXPORTED TO U.S.A. at Chassis No. 832138 and subs. 838904 and subs. 836855 and subs.
5299	Outer Rim (554903)		2	
5294	Screw, securing Outer Rim (552796)		2	
8077	Plate, retaining Light Unit (554179)		2	
8078	Rim, seating Light Unit (554175)		2	
8173	Spring, fixing Rim (554180)		2	
7764	Adaptor (553738)		2	
8402	Rubber Gasket, between Headlamp and Front Wings (54520607)		2	
NOTE.—LIGHT UNIT AND BULB ARE NOT SUPPLIED FOR U.S.A.				
BD.8537/1	Screw, Self-Tapping, for fixing of Headlamps		16	
BD.8536/1	Spire Nut, on Self-Tapping Screws		16	
C.2639	HEADLAMP DIPPER SWITCH (31289/A—FS.22/1)	77-14	1	
C.2659	Rubber Cap (360026)	77-15	1	
AS.102/13D	Screw, Set, for mounting of Dipper Switch		2	} R.H. DRIVE CARS ONLY.
C.723/A	Washer, Shakeproof, on Setscrews		2	
UFN.119/L	Nut, on Setscrews		2	
C.5429	Distance Piece, on Setscrews		2	
C.4578	Gasket, under Dipper Switch		1	
C.4580	Blanking Plate, under Dipper Switch		1	} L.H. DRIVE CARS ONLY.
UFS.419/3H	Screw, Set, for mounting of Dipper Switch		2	
C.723/A	Washer, Shakeproof, on Setscrews		2	
UFN.119/L	Nut, on Setscrews		2	
C.4517	SIDELAMP COMPLETE (52175/D—513)	77-16	2	NOT REQUIRED FOR CARS EXPORTED TO SWITZERLAND.
C.4653	Bulb Holder (552103)		2	
639	Bulb, 6 watt (207)		2	
8064	Terminal Sleeve (555910)		2	
C.4549/2	Screw, Set, securing Sidelamps		2	
C.4691	Indicator Lens for Sidelamps (573449/A)	77-17	2	
C.4098/2	Spring Clip, securing Indicator Lens (571888)	77-18	2	
C.16342	SIDELAMP COMPLETE (52499/A—L.563)		2	FOR CARS EXPORTED TO SWITZERLAND.
7667	Rim and Lens Assembly (575298)		2	
639	Bulb, 6 watt (207)		2	
C.12194	Terminal Sleeve (188818)		2	
C.9926	Gasket, seating Body (575283)		2	
UCS.413/4H	Screw, Set, securing Sidelamps		6	
UCN.113/L	Nut, on Setscrews		6	
C.721	Washer, Shakeproof, under Nuts		6	

ELECTRICAL EQUIPMENT

FOR XK.150 MODELS FITTED WITH STANDARD TRANSMISSION

Part No.	Description	Plate No.	No. per Unit	Remarks
C.5519	R.H. STOP/TAIL/FLASHER LAMP (53351/H—L549)		1	Fitted from Chassis No. 820001 to 820055 830001 to 832105 827001 to 827463 837001 to 838457 824001 to 825038 834001 to 836489
5316	Lens (574635)	77-19	1	
6535	Screw, fixing Lens (572289)	77-20	2	
5315	Rubber Seating for Lens (574634)	77-21	2	
8064	Terminal Sleeve (555910)		2	
5321	Rim and Bulb Holder (575655)	77-22	1	
6671	Rubber Seat for Lamp (574890)	77-23	1	
C.9125	Bulb (21/6 watt) (380)		2	
C.5518	L.H. STOP/TAIL/FLASHER LAMP (53350/H—L549)		1	Fitted from Chassis No. 820001 to 820055 830001 to 832105 827001 to 827463 837001 to 838457 824001 to 825038 834001 to 836489
5320	Rim and Bulb Holder (574654)		1	
	All other items as for Tail Lamp C.5519			
BD.15437	R.H. STOP/TAIL/FLASHER LAMP (RED/AMBER) (53739/A—L627)		1	NOT REQUIRED FOR CARS EXPORTED TO U.S.A. but fitted to Chassis No. 820056 and subs. 832106 and subs. 827464 and subs. 838458 and subs. 825039 and subs. 836490 and subs.
8080	Lens for Flasher Lamp (54570227)		1	
8081	Lens for Stop/Tail Lamp (54570229)		1	
8082	Screw, fixing lenses (54110101)		1	
8083	Gasket, seating lenses (54570233)		1	
6538	Bulbholder for Flasher Lamp (573832)		1	
C.9126	Bulb for Flasher Lamp (382)		1	
5311	Bulbholder for Stop/Tail Lamp (573828)		1	
C.9125	Bulb for Stop/Tail Lamp (380)		1	
8084	Reflex Reflector (574914)		1	
8311	Plinth (54570414)		1	
8345	Gasket, seating R.H. Stop/Tail Lamp (54570316)		1	
BD.15436	L.H. STOP/TAIL/FLASHER LAMP (RED/AMBER) (53738/A—L627)		1	NOT REQUIRED FOR CARS EXPORTED TO U.S.A. but fitted to Chassis No. 820056 and subs. 832106 and subs. 827464 and subs. 838458 and subs. 825039 and subs. 836490 and subs.
8312	Plinth (54570417)		1	
8344	Gasket, seating L.H. Stop/Tail Lamp (54570315)		1	
	All other items as for Tail Lamp BD.15437			

ELECTRICAL EQUIPMENT

FOR XK.150 MODELS FITTED WITH STANDARD TRANSMISSION

Part No.	Description	Plate No.	No. per Unit	Remarks
BD.15437/1	R.H. STOP/TAIL/FLASHER LAMP (RED/RED) (53756/A—L627)		1	REQUIRED FOR CARS EXPORTED TO U.S.A. at Chassis No. 832106 and subs. 838458 and subs. 836490 and subs.
8089	Lens for Flasher Lamp (54570228)		1	
	All other items as for Tail Lamp BD.15437			
BD.15436/1	L.H. STOP/TAIL/FLASHER LAMP (RED/RED) (53755/A—L627)		1	REQUIRED FOR CARS EXPORTED TO U.S.A. at Chassis No. 832106 and subs. 838458 and subs. 836490 and subs.
8089	Lens for Flasher Lamp (54570228)		1	
8312	Plinth (54570417)		1	
8344	Gasket, seating L.H. Stop/Tail Lamp (54570315)		1	
	All other items as for Tail Lamp BD.15437			
UFN.125/L FW.104/T C.724	Nut, securing Stop/Tail Lamp Washer, Plain, under Nuts Washer, Shakeproof, under Nuts		4 4 4	} 6 off with L627 Lamps.
C.5218	SWITCH OPERATING STOP LIGHTS (31082/F)	77-24	1	
C.8907	FRONT FLASHER LAMP (52271/A—L563)		2	NOT FOR U.S.A. OR SWITZERLAND.
5322	Rim, complete with Lens (575289)	77-25	2	
5218	Screw, fixing Rim (113511)		2	
6524	Washer, retaining Screw (161385)		2	
5324	Lens (Amber) (575292)		2	
5285	Wire, retaining Lens (522869)	77-26	10	
5323	Gasket, seating Lens (575290)	77-27	2	
6621	Seating Plate, complete with Bulbholder (575294)	77-28	2	
C.12194	Terminal Sleeve (188818)		2	
C.9126	Bulb, 21 watt (382)		2	
C.9926	Gasket, Body seating (575283)	77-29	2	
C.12223	FRONT FLASHER LAMP (52343/A—L563)		2	FOR U.S.A. ONLY.
7667	Rim, complete with Lens (575298)		2	
7253	Lens (Clear) (575285)		2	
	All other items as for Flasher Lamp C.8907			
UCS.413/4H UCN.113/L C.721	Screw, Set, securing Front Flasher Lamps Nut, on Setscrews Washer, Shakeproof, under Nuts		6 6 6	

ELECTRICAL EQUIPMENT

FOR XK.150 MODELS FITTED WITH STANDARD TRANSMISSION

Part No.	Description	Plate No.	No. per Unit	Remarks
C.16341	FRONT FLASHER LAMP (52500/A—L513)		2	FOR SWITZERLAND ONLY.
C.9126	Bulb (21 watt) (382)		2	
	All other items as for Sidelamp C.4517			
C.4549/2	Screw, Set, securing Flasher Lamp		2	
C.4691	Indicator Lens for Flasher Lamps (573449/A)		2	
C.4098/2	Spring Clip, securing Indicator Lens (571888)		2	
C.5230	FLASHER UNIT (35010/A—FL5)	77-30	1	
UFN.125/L	Nut, securing Flasher Unit		1	
C.724	Washer, Shakeproof, under Nut		1	
C.12894	BRACKET ASSEMBLY, MOUNTING FLASHER UNIT		1	
C.4518	DOUBLE RELAY FOR FLASHER CIRCUIT (33117/D—DB10)	77-31	1	Fitted from Chassis No. 820001 to 820055 830001 to 832105 827001 to 827463 837001 to 838457 824001 to 825038 834001 to 836489
UFS.119/4R	Screw, Set, securing Relay		2	
UFN.119/L	Nut, on Setscrew		2	
FW.104/T	Washer, Plain, on Setscrews		2	
C.723/A	Washer, Shakeproof, on Setscrews		2	
C.13378	BRACKET MOUNTING FLASHER RELAY		1	Fitted from Chassis No. 820001 to 820055 830001 to 832105 827001 to 827463 837001 to 838457 824001 to 825038 834001 to 836489
UFS.125/4R	Screw, Set, securing Bracket		3	
C.724	Washer, Shakeproof, on Setscrews		3	

ELECTRICAL EQUIPMENT

FOR XK.150 MODELS FITTED WITH STANDARD TRANSMISSION

Part No.	Description	Plate No.	No. per Unit	Remarks
C.4559	NUMBER PLATE ILLUMINATION AND REVERSE LAMP (53215/A—512)	77-32	1	NOT REQUIRED FOR CARS EXPORTED TO FRANCE.
C.4653	Interior, for Reverse Bulb Holder (552103)		1	
3455	Interior, for Number Plate Bulb Holder (553780)		3	
C.9126	Bulb, 21 watt, for Reverse Light (382)		1	
C.12249	Bulb, 4 watt, for Number Plate and Luggage Compartment illumination (222)		3	
5310	Shroud, for Bulbs (573527)		1	
3487	Lens (573513)	77-33	1	
3488	Rubber Gasket, between Lens and Shroud (573519)	77-34	1	
3489	Rubber Gasket, between Shroud and Boot Lid (573521)	77-35	1	
5309	Bulb Holder (573514)	77-36	1	
5308	Housing (Chrome Plated) for Lamp (573516)	77-37	1	
C.12173	NUMBER PLATE ILLUMINATION AND REVERSE LAMP (53556/A—512)		1	FOR CARS EXPORTED TO FRANCE.
7052	Lens (Yellow) (575335)		1	
	All other items as for C.4559			
C.1083	Switch, operating Reverse Light (31077B—SS10/1)		1	
C.4531	Gasket, for Reverse Light Switch (163682)		1	
WS.104/4D	Screw, Set, mounting Number Plate Lamp		2	
FW.104/T	Washer, Plain, on Setscrews		4	
C.724	Washer, Shakeproof, on Setscrews		4	
C.11904	FOG LAMP (55174/D—SFT.576)		2	NOT REQUIRED FOR CARS EXPORTED TO FRANCE.
C.11905	FOG LAMP (55133/F—SFT.576)		2	FOR CARS EXPORTED TO FRANCE.
5296	Light Unit (554813)		2	NOT REQUIRED FOR CARS EXPORTED TO FRANCE.
5295	Bulb Holder (554667)		2	
5288	Clamp, complete with rubber Cushion (535009)		2	
6658	Screw, for Clamp (144921)		2	
323	Bulb, 48 watt (323)		2	NOT REQUIRED FOR CARS EXPORTED TO GERMANY.
5287	Seating Base (534386)		2	
5220	Nut, securing Lamp (180377)		2	
5223	Lock Washer (188349)		2	
C.12194	Terminal Sleeve (188818)		2	
6656	Light Unit (554820)		2	FOR CARS EXPORTED TO FRANCE.
C.12349	Bulb (35 watt)		2	FOR CARS EXPORTED TO GERMANY.

ELECTRICAL EQUIPMENT

FOR XK.150 MODELS FITTED WITH STANDARD TRANSMISSION

Part No.	Description	Plate No.	No. per Unit	Remarks
BD.9243	BRACKET MOUNTING R.H. FOGLAMP		1	
BD.9242	BRACKET MOUNTING L.H. FOGLAMP		1	
BD.10416	Packing Plate		As req'd	
BD.14162	Distance Collar, Fog Lamp fixing		2	
BD.14163	Nut, fixing Fog Lamp		2	
C.8297	Grommet, under Nut		2	
C.733	Washer, Shakeproof		2	
UFS.131/10R	Screw, Set, securing Fog Lamp Brackets to Front Bumper Brackets		4	
UFN.131/L	Nut, on Setscrews		4	
C.985	Washer, under Nuts		4	
C.725	Washer, Shakeproof, on Setscrews		4	
C.5227	HORN (LOW NOTE) (70063/D—HF.1748)	77-38	1	
C.5226	HORN (HIGH NOTE) (70071/D—HF.1748)	77-38	1	
3501	Contact Set (703722)		2	
3502	Bracket (704651)		2	
6052	Diaphragm Assembly (Low Note) (703726)		1	
6051	Diaphragm Assembly (High Note) (703727)		1	
UFS.125/9R	Screw, Set, mounting Horns		4	
C.986	Washer, Plain, on Setscrews		8	
C.724	Washer, Shakeproof, on Setscrews		4	
UFN.125/L	Nut, on Setscrews		4	
C.8157	CONTACT ASSEMBLY FOR HORNS (348262)		1	
C.8158	Contact Holder (348269)	77-39	2	
C.8159	Contact (348268)	77-40	1	
C.8161	Bolt, securing Contact to Holder (139444)	77-41	1	
C.8160	Nut, on Bolt (348270)	77-42	1	
C.10650	Rubber Sleeve, insulating Contact from Steering Column to Outer Tube (348272)	77-43	1	
C.13024	Insulating Strip (Fibre) protecting contact from above (548486)		1	
C.11746	Earth Contact, for operation of Horns (348313)	77-44	1	

ELECTRICAL EQUIPMENT

FOR XK.150 MODELS FITTED WITH STANDARD TRANSMISSION

Part No.	Description	Plate No.	No. per Unit	Remarks
C.5531	STEERING COLUMN CONTROL (32902/H—CC.5)		1	
5934	Horn Push (330682)	77-45	1	
5936	Moulded Ring, around Horn Push (330696)	77-46	1	
2844	Spring, under Horn Push (322166)	77-47	3	
5938	Contacts, for Horn Push (331078)	77-48	1	
5940	Contact Plate and Peg Assembly (331417)	77-49	1	
5933	Plate, fixing Control (330614)	77-50	1	
C.12823	HORN SLIP RING ASSEMBLY (348479)		1	
C.10317	Slip Ring (348276)	77-51	1	
C.8761	Contact, for Horns (348266)	77-52	1	
C.8153	Cable Assembly (861622)	77-53	1	
8295	Rotor Assembly (54300638)	77-54	1	
C.8156	Spring, inside top half of Rotor, for Cable Tension (348267)	77-55	1	
C.12194	Dowler Eyelet, for connection of Cable from Slip Ring to Horn Push (188818)	77-56	1	
C.10830	DIRECTION INDICATOR SWITCH (31250/A—TPS.1)	77-57	1	FOR DROP HEAD AND FIXED HEAD COUPES ONLY from Chassis No. 827001 to 827068 837001 to 837414 824001 to 824413 834001 to 835547
C.5560	Escutcheon for D.I. Switch (311302)	77-58	1	
C.5561	Eyelet for D.I. Switch (311303)	77-59	1	
C.10831	HANDLE, OPERATING DIRECTION INDICATOR SWITCH (311301)	77-60	1	
C.11936	Screw, securing Handle to D.I. Switch (145591)	77-61	1	
C.13958	DIRECTION INDICATOR SWITCH	77-62	1	Fitted to Chassis No. 820001 and subs. 830001 and subs. 827069 and subs. 837415 and subs. 824414 and subs. 835548 and subs.
C.14307	Cover Assembly (comprising Front and Rear Covers)		1	
7521	Fixing Clip (with Screws, etc.) (54330333)		1	
7522	Contact Set (348443)		1	
7523	Spring, centring Pawl (348823)		1	
C.16120	Striker Plate, for Direction Indicator Switch		1	
C.14007/1	Screw, Set, mounting Striker Plate		2	
C.723/A	Washer, Shakeproof, on Setscrews		2	
C.3377	Washer, Plain, on Setscrews		2	

ELECTRICAL EQUIPMENT

FOR XK.150 MODELS FITTED WITH STANDARD TRANSMISSION

Part No.	Description	Plate No.	No. per Unit	Remarks
C.13508	WINDSCREEN WIPER MOTOR ASSEMBLY (073146/A—DR3)		1	FITTED TO R.H. DRIVE FIXED HEAD AND DROP HEAD COUPES ONLY.
7252	Motor only (75319/A)	77-63	1	
7187	Brush Gear (743171)		1	
7188	Cover and Terminals (743924)		1	
7189	Armature (743929)		1	
7190	Coil (744907)		1	
7393	Shaft and Gear (744912)		1	
6555	Connecting Rod (740563)		1	
7192	Limit Switch (743846)		1	
7394	Rack and Cross Head (744254)	77-64	1	
C.13619	WINDSCREEN WIPER MOTOR ASSEMBLY (073160—DR3)		1	FITTED TO L.H. DRIVE FIXED HEAD AND DROP HEAD COUPES ONLY.
7229	Motor only (75308/A)		1	
	All other items as for Assembly C.13508			
C.14074	WINDSCREEN WIPER MOTOR ASSEMBLY (073181/3)		1	FITTED TO R.H. DRIVE OPEN CARS ONLY.
7395	Rack and Cross Head (744256)		1	
	All other items as for Assembly C.13508			
C.14136	WINDSCREEN WIPER MOTOR ASSEMBLY (073182/A)		1	FITTED TO L.H. DRIVE OPEN CARS ONLY.
7395	Rack and Cross Head (744256)		1	
	All other items as for Assembly C.13508			
C.12620	OUTER CASING, MOTOR TO WHEELBOX (745554)	77-65	1	FITTED TO L.H. DRIVE FIXED HEAD AND DROP HEAD COUPES ONLY from Chassis No. 837001 to 837156 834001 to 834394

ELECTRICAL EQUIPMENT

FOR XK.150 MODELS FITTED WITH STANDARD TRANSMISSION

Part No.	Description	Plate No.	No. per Unit	Remarks
C.13464	OUTER CASING, MOTOR TO WHEELBOX (747248)	77-65	1	FITTED ONLY TO DROP HEAD AND FIXED HEAD COUPES at Chassis No. 827001 and subs. 837157 and subs. 824001 and subs. 834395 and subs.
C.14056	OUTER CASING, MOTOR TO WHEELBOX (54710186)	77-65	1	FITTED TO OPEN CARS ONLY.
C.12821	OUTER CASING, WHEELBOX TO WHEELBOX (745555)	77-66	1	
C.5450	OUTER CASING WHEELBOX EXTENSION (740746)	77-67	1	
C.14472	WHEELBOX ASSEMBLY FOR WIND-SCREEN WIPERS (72715/A)	77-68	2	
3557	Spindle and Gear (740786)		2	
C.5522/2	Rubber Tube for Wheelbox Spindles (740711)		2	
C.13233	WIPER MOTOR BRACKET		1	FITTED ONLY TO L.H. DRIVE DROP HEAD AND FIXED HEAD COUPES from Chassis No. 837001 to 837156 834001 to 834394
BD.13652	WIPER MOTOR BRACKET ASSEMBLY	77-69	1	FITTED ONLY TO DROP HEAD AND FIXED HEAD COUPES at Chassis No. 827001 and subs. 837157 and subs. 824001 and subs. 834395 and subs.

ELECTRICAL EQUIPMENT

FOR XK.150 MODELS FITTED WITH STANDARD TRANSMISSION

Part No.	Description	Plate No.	No. per Unit	Remarks
BD.14948	WIPER MOTOR BRACKET ASSEMBLY		1	FITTED TO ALL OPEN MODELS.
UFS.119/4R	Screw, Set, securing Wiper to Bracket		3	
AW.102/T	Washer, Plain, on Setscrews		3	
C.723/A	Washer, Shakeproof, on Setscrew		3	
7249	ARM FOR WINDSCREEN WIPER (745650)	77-70	2	FITTED TO R.H. DRIVE CARS ONLY.
7250	ARM FOR WINDSCREEN WIPER (745651)	77-71	2	FITTED TO L.H. DRIVE CARS ONLY.
6562	BLADE FOR WINDSCREEN WIPER ARMS (54711614)	77-72	2	
C.9150	BATTERY (4022200/F-11G)		2	
C.5539	BATTERY CABLE (POSITIVE TO EARTH) (812212)		1	
C.5535	BATTERY CABLE (NEGATIVE)		1	
C.9153	CABLE, ACROSS SCUTTLE, CON- NECTING BATTERIES (810374)		1	Fitted from Chassis No. 830001 to 831139 827001 to 827193 837001 to 837627 824001 to 824584 834001 to 835718
C.14329	CABLE, ACROSS SCUTTLE, CON- NECTING BATTERIES (54940885)		1	Fitted to Chassis No. 820001 and subs. 831140 and subs. 827194 and subs. 837628 and subs. 824585 and subs. 835719 and subs.
C.2609	Screw, fixing Cable to Battery Posts (186111)		4	

ELECTRICAL EQUIPMENT

FOR XK.150 MODELS FITTED WITH STANDARD TRANSMISSION

Part No.	Description	Plate No.	No. per Unit	Remarks
C.16178	HANDBRAKE AND BRAKE FLUID LEVEL WARNING LIGHT (38091/A)		1	} Fitted to Chassis No. 820071 and subs. 832120 and subs. 827540 and subs. 838754 and subs. 825179 and subs. 836744 and subs.
C.16184 BD.1502/1	Bracket, mounting Warning Light Woodscrew, securing Bracket		1 2	
C.16183	Escutcheon, for Warning Light		1	
C.12833	SWITCH OPERATING WARNING LIGHT (31504/D)		1	
C.14152	CHASSIS HARNESS (839750)		1	FOR XK.150 MODELS ONLY.
C.14151	CHASSIS HARNESS (54940412)		1	FOR XK.150 'S' MODELS ONLY.
3571 C.2796	Snap Connector, 10 way, for Chassis Harness (850832) Bracket, securing Snap Connector to Wing Valance		1 1	} FITTED TO R.H. DRIVE CARS.
3582 C.2797	Snap Connector, 20 way, for Chassis Harness (859220) Bracket, securing Snap Connector to Wing Valance		1 1	
UCS.313/4H UCN.113/L C.721	Screw, Set, securing Connector Bracket Nut, on Setscrew Washer, Shakeproof, under Nut		4 4 4	} FITTED TO L.H. DRIVE CARS.
C.13416	COVER FOR SNAP CONNECTORS		2	
UFS.119/4R C.723/A	Screw, Set, securing Covers to Wing Valances Washer, Shakeproof, on Setscrews		4 4	
C.12827	INSTRUMENT PANEL HARNESS (794601/B)		1	FITTED TO DROP HEAD AND FIXED HEAD COUPES from Chassis No. 827001 to 827071 837001 to 837433 824001 to 824419 834001 to 835565
C.14053	INSTRUMENT PANEL HARNESS (54940224)		1	FITTED TO L.H. DRIVE OPEN MODELS from Chassis No. 830001 to 830438

ELECTRICAL EQUIPMENT

FOR XK.150 MODELS FITTED WITH STANDARD TRANSMISSION

Part No.	Description	Plate No.	No. per Unit	Remarks
C.14252	INSTRUMENT PANEL HARNESS (54940683)		1	FITTED TO DROP HEAD AND FIXED HEAD COUPES from Chassis No. 827072 to 827463 837434 to 838457 824420 to 825038 835566 to 836489
C.14253	INSTRUMENT PANEL HARNESS (54940686)		1	FITTED TO OPEN MODELS from Chassis No. 820001 to 820055 830439 to 832105
C.14406	INSTRUMENT PANEL HARNESS		1	Fitted to Chassis No. 820056 and subs. 832106 and subs. 827464 and subs. 838458 and subs. 825039 and subs. 836490 and subs.
C.13042	BODY HARNESS (864678)		1	Fitted from Chassis No. 820001 to 820055 830001 to 832105 827001 to 827463 837001 to 838457 824001 to 825038 834001 to 836489
C.14409	BODY HARNESS		1	Fitted to Chassis No. 820056 and subs. 832106 and subs. 827464 and subs. 838458 and subs. 825039 and subs. 836490 and subs.
C.15269	ELECTRIC REV. COUNTER HARNESS		1	Fitted to Chassis No. 820043 and subs. 832088 and subs. 827373 and subs. 838272 and subs. 824905 and subs. 836233 and subs.
C.16931	HANDBRAKE AND BRAKE FLUID LEVEL WARNING LIGHT HARNESS (54946922)		1	
C.5643	GEARBOX HARNESS (825304)		1	

ELECTRICAL EQUIPMENT

FOR XK.150 MODELS FITTED WITH STANDARD TRANSMISSION

Part No.	Description	Plate No.	No. per Unit	Remarks
ELECTRICAL CABLES				
C.13043	Cable , for Boot Lid (864685)		1	} Fitted from Chassis No. 820001 to 820055 830001 to 832105 827001 to 827463 837001 to 838457 824001 to 825038 834001 to 836489
C.13044	Cable , for L.H. Tail Lamp (994633)		1	
C.13045	Cable , for R.H. Tail Lamp (994632)		1	
C.14410	Cable , for L.H. Tail Lamp		1	} Fitted to Chassis No. 820056 and subs. 832106 and subs. 827464 and subs. 838458 and subs. 825039 and subs. 836490 and subs.
C.14411	Cable , for R.H. Tail Lamp		1	
C.13050	Cable , for Interior Light Door Switch		2	FOR FIXED HEAD AND DROP HEAD COUPES ONLY.
C.12895	Cable , for Interior Light Switch		1	FOR FIXED HEAD AND DROP HEAD COUPES ONLY.
C.9148	Cable , for Horn Switch (862415/A)		1	FOR LEFT HAND DRIVE CARS.
C.9109	Cable , for Horn Switch (862416/A)		1	FOR RIGHT HAND DRIVE CARS.
C.5555	Cable , for Sidelamps (861268)		2	} Fitted from Chassis No. 830001 to 831139 827001 to 827193 837001 to 837627 824001 to 824584 834001 to 835718
C.13046	Cable , for Petrol Pump (864679)		1	
C.9153	Cable , for Battery Connector (810374)		1	
C.14329	Cable , for Battery Connector (54940885)		1	Fitted to Chassis No. 820001 and subs. 831140 and subs. 827194 and subs. 837628 and subs. 824585 and subs. 835719 and subs.
C.5645	Cable , for Starter Solenoid (999621)		1	
C.16331	Cable , for Flasher Lamp Extension (54945597)		2	FOR CARS EXPORTED TO SWITZERLAND.
C.14333	Cable , for Heater Lead Extension (54941042)		1	Fitted from Chassis No. 820001 to 820055 831140 to 832106 827194 to 827464 837628 to 838458 824585 to 825039 835719 to 836490
C.16933	Cable , for Brake Warning Light Extension (54946924)		1	Fitted to Chassis No. 820071 and subs. 832120 and subs. 827540 and subs. 838754 and subs. 825179 and subs. 836744 and subs.
C.8841	Cable , for Foglamp (862334/A)		2	
C.2612	Earth Cable , from Engine to Body and Engine to Chassis (859340)		2	
C.2895	Earth Cable , for Petrol Pump (864679)		1	
C.9128	Earth Cable , for Front Flasher Lamps (862205)		2	
C.5204	Terminal , for Earth Cables (860019)		5	

ELECTRICAL EQUIPMENT

FOR XK.150 MODELS FITTED WITH STANDARD TRANSMISSION

Part No.	Description	Plate No.	No. per Unit	Remarks
CABLE SLEEVES				
C.2783	Sleeve, for Headlamp Cables and Petrol Pipe (859300)		3	
C.10650	Sleeve, for Screen Wiper Motor (348272)		1	
GROMMETS, ETC.				
C.2706	Grommet, for Screen Washer Tubes, Speedometer Cable, Bonnet Lock Control, Reverse Switch Cable, Sidelamp Cable (859059)		8	
C.2707	Grommet, for Body Harness (859060)		1	R.H. DRIVE CARS ONLY.
C.2708	Grommet, at Dipper Switch mounting (859060)		1	
C.2708	Grommet, for Panel Harness (859061)		1	
C.5574	Grommet, for Petrol Drain Pipe and Screen Wiper Casing (740811)		2	
C.977	Grommet, at rear of Body, for Body Harness (858065)		1	
C.974	Grommet, for Petrol Pump, Petrol Pump Cable, Boot Lid Cable, Headlamp Cables and Reverse Switch Cable (858062)		8	
C.975	Grommet, for Lamp Cables and Petrol Pump Cable (858063)		5	
C.976	Grommet, for Chassis Harness and Rear Body Harness (858064)		3	
C.1426	Grommet, for Panel Harness, Petrol Pipes, Oil Pressure and Water Thermometer Pipes, Petrol Pump Cable and Hydraulic Brake Pipes (858066)		9	
C.1042	Grommet, for Heater Lead		1	
513	Grommet, for Oil Pressure and Water Thermometer Pipes		1	
C.2869	Grommet, for Chassis Harness		2	
RUBBER BOOTS AND PLUGS				
C.4650	Rubber Boot, for Starter Motor and Starter Solenoid Terminals		3	
C.5580	Rubber Boot, for Petrol Pump		1	} NOT REQUIRED WHEN RADIO IS FITTED.
C.5647	Rubber Plug		2	
C.5648	Rubber Plug		2	

ELECTRICAL EQUIPMENT

FOR XK.150 MODELS FITTED WITH STANDARD TRANSMISSION

Part No.	Description	Plate No.	No. per Unit	Remarks
CLIPS				
C.1040/2	Clip, securing Battery Cables		2	
C.1040/9	Clip, securing Starter Switch Cable, Dip Switch Cable, Speedo Cable to Bracket, Dynamo Cable to Wing Valance, Boot Lid Cable and Petrol Feed Pipe		7	
C.1543/7	Clip, for Speedometer Cable		1	
C.1040/8	Clip, securing Distributor Cable, Dynamo Cable and Reverse Switch Connector		3	
C.1040/13	Clip, for Brake Warning Light Cables		2	
C.1040/10	Clip, for Rev. Counter Harness		1	
C.1040/12	Clip, for Starter Solenoid Cable, Dip Switch Cable, Battery Cable, Petrol Feed Pipe, Radiator Overflow Pipe and Front Flasher Cables		10	
C.1040/21	Clip, for Flexible Breather Pipe		1	
C.1040/17	Clip, for Battery Cables, and Front Flasher Lamp		8	
C.1040/24	Clip, for Brake Pipe on Rear Axle		1	
C.1040/25	Clip, for Battery Cables to Bulkhead		1	
C.1040/16	Clip, for Front Lamp and Body Harnesses		3	
C.1040/29	Clip, for Clutch Hydraulic Pipe		1	
C.1071/2	Clip, securing Lamp Cables and Body Harness		7	
C.1071/12	Clip, for Distributor Cable		1	
C.1069/1	Clip, securing Dip Switch Cable		1	
C.1069/1	Clip, securing Battery Cable		1	
C.1543/8	Clip, securing Petrol Tank Harness to Chassis Frame		3	
C.11945	Clip, securing Thermometer Pipe to Engine		4	
UFS.319/5H	Screw, Set, for fixing Cable Clips		13	
UFN.119/L	Nut, on Setscrews		13	
C.723/A	Washer, Shakeproof, under Nuts		13	
BD.1502/2	Screw, Wood, fixing Boot Lid Cable Clips		2	
BD.1229/7	Screw, Self-Tapping, for Dip Switch Cable Clip		1	
UFS.125/5R	Screw, Set, securing Wiper Motor Earth Cable		1	
UFN.125/L	Nut, on Setscrew		1	
C.724	Washer, Shakeproof, under Nut		1	
C.13379	BRACKET FOR SPEEDOMETER CABLE CLIP		1	
UFS.119/4R	Screw, Set, securing Bracket		2	
UFN.119/L	Nut, on Setscrews		2	
C.723/A	Washer, Shakeproof, on Setscrews		2	

L.H. DRIVE CARS ONLY.

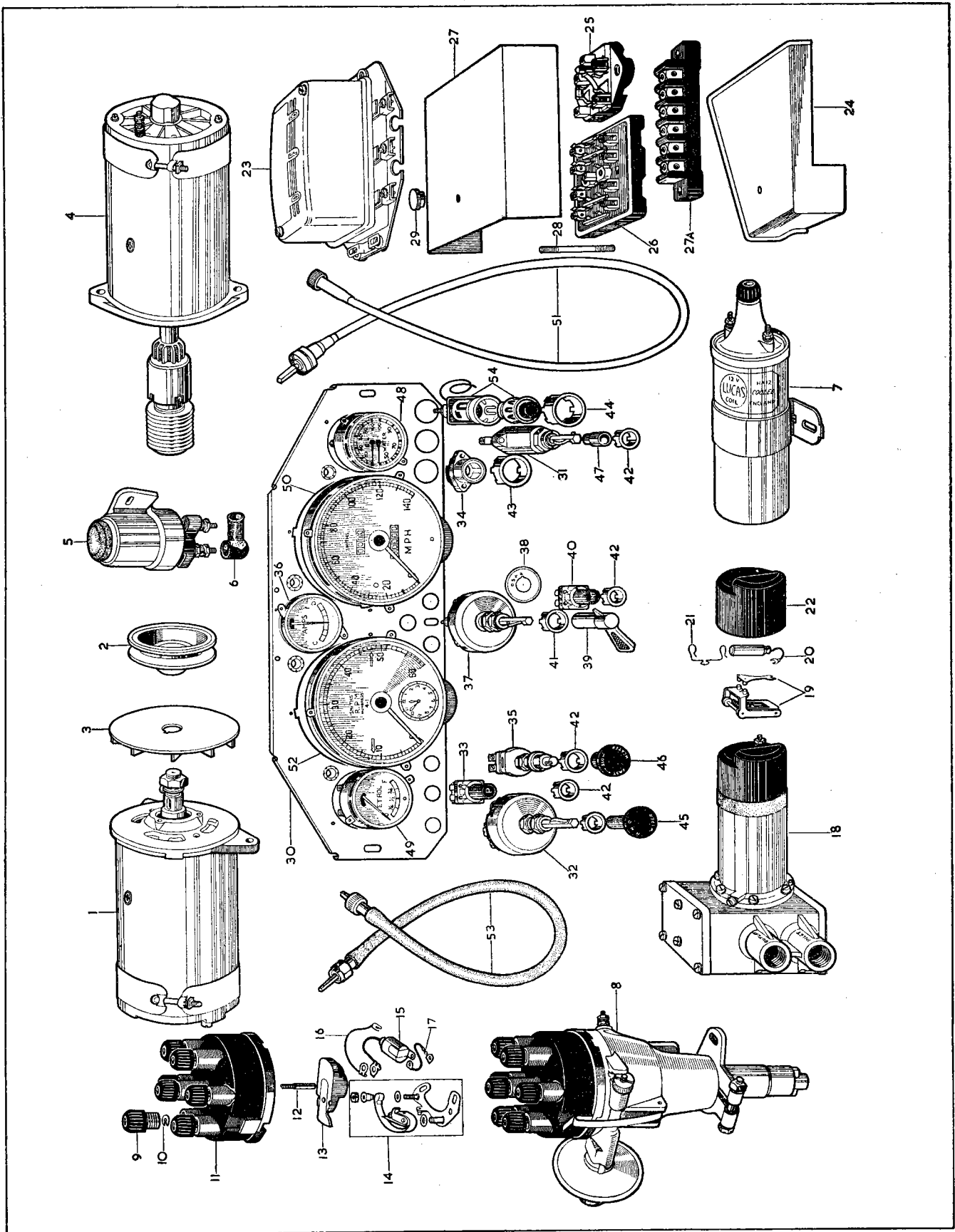


PLATE 76

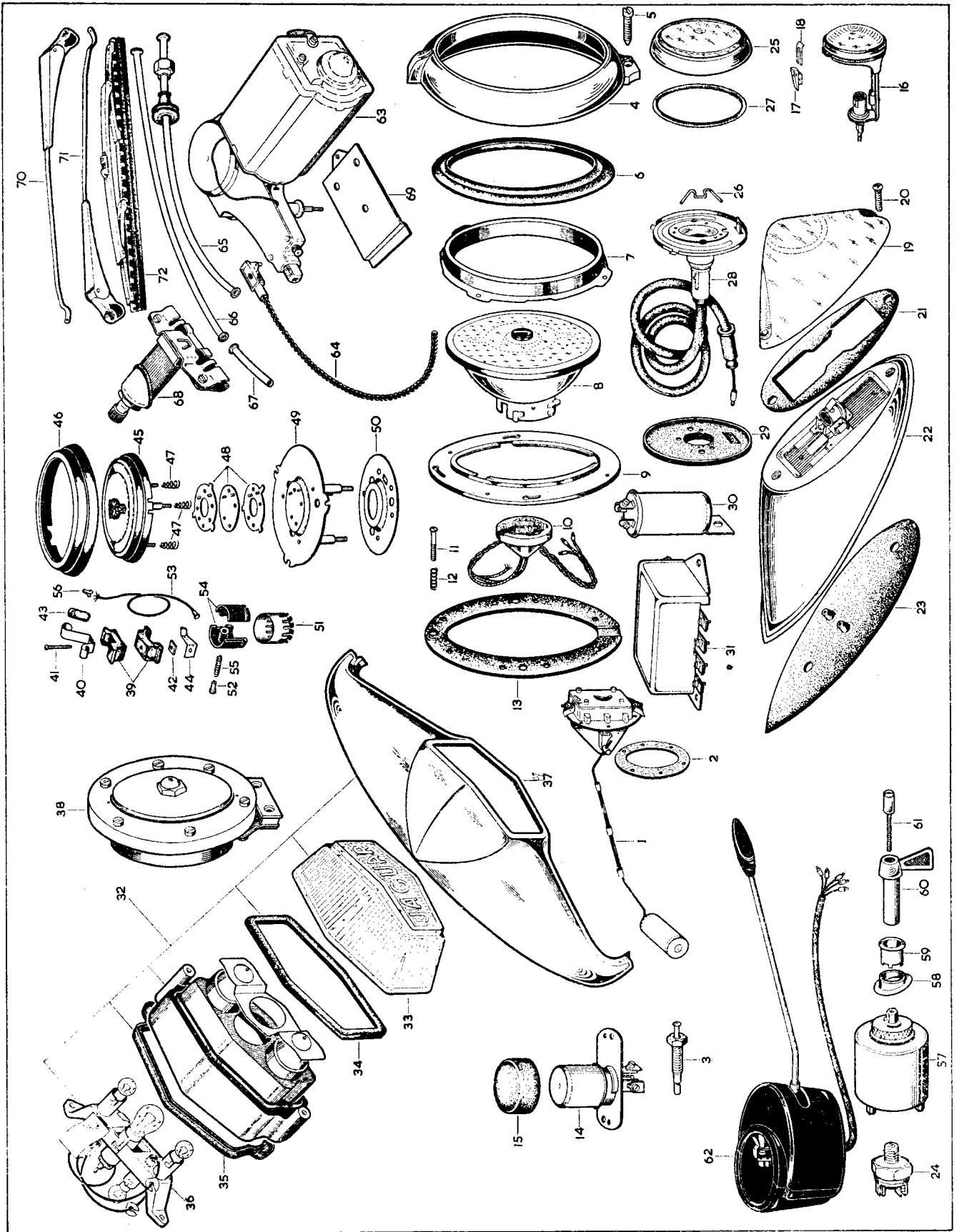


PLATE 77

AUTOMATIC TRANSMISSION ELECTRICAL EQUIPMENT FOR XK.150 MODELS

Part No.	Description	Plate No.	No. per Unit	Remarks
C.10980	STARTER MOTOR (26097/D—M.45G)		1	
5924	Armature (271780)		1	
2804	Brush (Set of 2) (255659)		1	
2811	Spring for Brush Tension (Set of 2) (270004)		1	
5927	Pinion and Sleeve Assembly (291104)		1	
5929	Spring, Pinion retaining (291550)		1	
2819	Field Coil (271306)		1	
6653	Bracket, Commutator End (271305)		1	
2801	Bush for Commutator End Bracket (255491)		1	
5925	Bracket, Driving End (271939)		1	
8370	Bush, for Driving End Bracket (256112)		1	
2826	Drive Assembly (291551)		1	
5928	Main Spring (291448)		1	
6545	Cap, Shaft (255854)		1	
7007	Cover Band (270294)		1	
C.2692	STARTER SOLENOID SWITCH (76411/E—ST.950)		1	
C.7857	Cover, under Solenoid Rubber Cover (761789)		1	
C.6856	THROTTLE SWITCH, BETWEEN CAR- BURETTERS, FOR ANTI-CREEP CUT- OUT (527260)		1	} Fitted from Engine No. V.1001 to V.7246
C.5573	Conversion Lead for Throttle Switch (860945)		1	
C.15270	THROTTLE SWITCH, BETWEEN CAR- BURETTERS, FOR ANTI-CREEP CUT- OUT (31931/A)		1	Fitted to Engine No. V.7247 and subs. VA. 1001 and subs.
C.12750	SOLENOID VALVE, ON CHASSIS FRAME, FOR ANTI-CREEP CONTROL (76502/D—BVS.1)		1	
C.7673	Adaptor, in end of Solenoid Valve		1	
C.2296/8	Copper Washer, under Adaptor		1	
UFS.131/6R	Screw, Set, securing Solenoid Valve		2	
C.725	Washer, Shakeproof, on Setscrews		2	
FW.105/T	Washer, Plain, on Setscrews		2	

AUTOMATIC TRANSMISSION ELECTRICAL EQUIPMENT FOR XK.150 MODELS

Part No.	Description	Plate No.	No. per Unit	Remarks
C.6858	SWITCH, ON TRANSMISSION CASE FOR ANTI-CREEP PRESSURE CONTROL (527394)		1	Fitted from Engine No. V.1001 to V.7246
C.12751	SWITCH, ON TRANSMISSION CASE FOR ANTI-CREEP PRESSURE CONTROL (31393/A—HPS.1)		1	Fitted to Engine No. V.7247 and subs. VA. 1001 and subs.
C.12740	SOLENOID FOR INTERMEDIATE SPEED HOLD (76459/A—8.S)		1	Fitted from Chassis No. 830001 to 830691 827001 to 827117 837001 to 837485 824001 to 824462 834001 to 835609
C.13991	SOLENOID FOR INTERMEDIATE SPEED HOLD (76516/A—11.S)		1	Fitted to Chassis No. 820001 and subs. 830692 and subs. 827118 and subs. 837486 and subs. 824463 and subs. 835610 and subs.
UFS.319/4H AG.102/X	Screw, Set, securing Solenoid Washer, Spring, on Setscrews		2 2	} 3 required when Solenoid C.12740 is fitted.
C.12558	MANUAL SWITCH, OPERATING INTERMEDIATE SPEED HOLD SOLENOID		1	
C.12570	Escutcheon for Manual Switch (marked "Intermediate Speed Hold" "In-Out")		1	

AUTOMATIC TRANSMISSION ELECTRICAL EQUIPMENT FOR XK.150 MODELS

Part No.	Description	Plate No.	No. per Unit	Remarks
C.13611	SWITCH, OPERATING REVERSE LIGHT AND STARTER CUT-OUT		1	
C.13602	Bracket, mounting Switch		1	Fitted from Chassis No. 830001 to 831139 827001 to 827193 837001 to 837627 824001 to 824584 834001 to 835718
C.14582	Bracket, mounting Switch		1	Fitted to Chassis No. 820001 and subs. 831140 and subs. 827194 and subs. 837628 and subs. 824585 and subs. 835719 and subs.
UFS.119/3R	Screw, Set, securing Switch to Bracket		1	
UFN.119/L	Nut, on Setscrew		1	
C.723/A	Washer, Shakeproof, under Nut		1	
UFS.125/3R	Screw, Set, mounting Bracket to Dash		2	
C.724	Washer, Shakeproof, on Setscrew		2	
C.12806	MARK I SPEEDOMETER (Z.46733) (CALIBRATED IN MILES)		1	SUITABLE FOR FIXED HEAD AND DROP HEAD COUPES FITTED WITH 3.54 : 1 REAR AXLE RATIO.
C.12807	MARK I SPEEDOMETER (Z.46775) (CALIBRATED IN KILOS)		1	SUITABLE FOR FIXED HEAD AND DROP HEAD COUPES FITTED WITH 3.54 : 1 REAR AXLE RATIO.
C.14050	MARK II SPEEDOMETER (SN.6364/04) CALIBRATED IN MILES)		1	SUITABLE FOR ALL CARS FITTED WITH 3.54 : 1 REAR AXLE RATIO.
C.14051	MARK II SPEEDOMETER (SN.6364/05) (CALIBRATED IN KILOS)		1	SUITABLE FOR ALL CARS FITTED WITH 3.54 : 1 REAR AXLE RATIO.
	NOTE.—To ensure that the correct Speedometer is supplied by Jaguar Spares Department, IT IS IMPORTANT WHEN ORDERING to quote the number printed on the dial of the displaced instrument.			
	On some specially calibrated instruments, the number is printed on the back of the Speedometer Casing.			

AUTOMATIC TRANSMISSION ELECTRICAL EQUIPMENT FOR XK.150 MODELS

Part No.	Description	Plate No.	No. per Unit	Remarks
C.12544	FLEXIBLE SPEEDOMETER CABLE, COMPLETE (SMITH DF.1302/00/54)		1	
6972	Inner Cable only (DI/1314/00/54)		1	
6973	Outer Cable only (DO/1314/00/54)		1	
C.14257	INSTRUMENT PANEL HARNESS (54940688)		1	Fitted from Chassis No. 820001 to 820055 830001 to 832105 827001 to 827463 837001 to 838457 824001 to 825038 834001 to 836489
C.14408	INSTRUMENT PANEL HARNESS		1	Fitted to Chassis No. 820056 and subs. 832106 and subs. 827464 and subs. 838458 and subs. 825039 and subs. 836490 and subs.
C.12835	GEARBOX HARNESS		1	
C.13348	Connector, for Gearbox Harness		1	
	CLIPS			
C.1040/14	Clip, securing Gearbox Harness		2	
C.1040/27	Clip, securing Gearbox Harness		1	
	GROMMETS			
C.5574	Grommet, for Gear Control Cable		1	
	Any electrical items not covered in these pages for Automatic Transmission cars will be found on the pages marked "STANDARD TRANSMISSION".			

OVERDRIVE TRANSMISSION ELECTRICAL EQUIPMENT

Part No.	Description	Plate No.	No. per Unit	Remarks
C.1083	SWITCH, ON GEARBOX TOP COVER, OPERATING REVERSE LIGHT AND TOP GEAR FOR OVERDRIVE UNIT (31077/E—SS.10/1)		2	} 1 ONLY REQUIRED WHEN OVERDRIVE UNIT IS MANUALLY CONTROLLED.
C.4531	Gasket, for Switches		2	
C.12833	OVERDRIVE THROTTLE SWITCH (31504/A—12SA)		1	} NOT REQUIRED WHEN OVERDRIVE UNIT IS MANUALLY OPERATED.
C.7471	SOLENOID FOR OVERDRIVE UNIT (76505/B—TGS.1)		1	
C.12898	MARK I SPEEDOMETER (Z.46732) (CALIBRATED IN MILES)		1	SUITABLE FOR FIXED HEAD AND DROP HEAD COUPES FITTED WITH 4.09 : 1 REAR AXLE RATIO.
C.12899	MARK I SPEEDOMETER (Z.46773) (CALIBRATED IN KILOS)		1	SUITABLE FOR FIXED HEAD AND DROP HEAD COUPES FITTED WITH 4.09 : 1 REAR AXLE RATIO.
C.14046	MARK II SPEEDOMETER (SN.6364/02) (CALIBRATED IN MILES)		1	SUITABLE FOR ALL CARS FITTED WITH 4.09 : 1 REAR AXLE RATIO.
C.14047	MARK II SPEEDOMETER (SN.6364/03) (CALIBRATED IN KILOS)		1	SUITABLE FOR ALL CARS FITTED WITH 4.09 : 1 REAR AXLE RATIO.
	<p>NOTE.—To ensure that the correct Speedometer is supplied by Jaguar Spares Department, IT IS IMPORTANT WHEN ORDERING to quote the number printed on the dial of the displaced instrument.</p> <p>On some specially calibrated instruments, the number is printed on the back of the speedometer casing.</p>			

OVERDRIVE TRANSMISSION ELECTRICAL EQUIPMENT

Part No.	Description	Plate No.	No. per Unit	Remarks
C.11964	SPEEDOMETER CABLE (DF.1110/00/57)		1	
6276	Inner Cable only (DI/1110/00/57)		1	
6277	Outer Cable only (DO/1110/00/57)		1	
C.8600	RIGHT ANGLE DRIVE GEARBOX (X80630)		1	
C.13362	GEARBOX HARNESS (864755)		1	} NOT REQUIRED WHEN OVER-DRIVE UNIT IS MANUALLY CONTROLLED.
C.13348	Cable, for Connection of Gearbox Harness (864753)		1	
C.14255	INSTRUMENT PANEL HARNESS (54940687)		1	Fitted from Chassis No. 820001 to 820054 830001 to 832103 827001 to 827462 837001 to 838431 824001 to 825034 834001 to 836456
C.16165	INSTRUMENT PANEL HARNESS (54943702)		1	Fitted to Chassis No. 820055 and subs. 832104 and subs. 827463 and subs. 838432 and subs. 825035 and subs. 836457 and subs.
C.12829	RELAY FOR OVERDRIVE UNIT (33174/B—SB.60)		1	NOT REQUIRED WHEN OVER-DRIVE UNIT IS MANUALLY CONTROLLED but fitted from Chassis No. 820001 to 820054 830001 to 832103 827001 to 827462 837001 to 838431 824001 to 825034 834001 to 836456

OVERDRIVE TRANSMISSION ELECTRICAL EQUIPMENT

Part No.	Description	Plate No.	No. per Unit	Remarks
C.16164	RELAY FOR OVERDRIVE UNIT (33199/A—6.RA)		1	NOT REQUIRED WHEN OVER- DRIVE UNIT IS MANUALLY CONTROLLED but fitted to Chassis No. 820055 and subs. 832104 and subs. 827463 and subs. 838432 and subs. 825035 and subs. 836457 and subs.
C.12832	SWITCH, OPERATING OVERDRIVE UNIT (81053—JSB)		1	} NOT REQUIRED WHEN OVER- DRIVE UNIT IS MANUALLY CONTROLLED.
C.13008	Escutcheon (marked "Overdrive" "In-Out")		1	
C.14443	BRACKET, MOUNTING RELAY		1	} NOT REQUIRED WHEN OVER- DRIVE UNIT IS MANUALLY CONTROLLED but fitted to Chassis No. 820056 and subs. 832106 and subs. 827464 and subs. 838458 and subs. 825039 and subs. 836490 and subs.
UFS.125/4R C.724	Screw, Set, securing Bracket Washer, Shakeproof, on Setscrew		2 2	
UFS.419/3H UFN.119/L C.723/A	Screw, Set, mounting Relay Nut, on Setscrew Washer, Shakeproof, under Nuts		2 2 2	
	CLIPS			
C.1040/9	Clip, for Speedometer Cable		1	
	Any electrical items not covered in these pages for Overdrive Transmission cars will be found on the pages marked "STANDARD TRANS- MISSION".			

ELECTRICAL EQUIPMENT

FOR XK.150 'S' MODELS

Part No.	Description	Plate No.	No. per Unit	Remarks
C.9688/1	PETROL PUMP (4644/1—AUA.52)		2	
C.800	Stud , for mounting of Petrol Pumps		4	
C.2539/1	Nut , on Studs		4	
FW.205/T	Washer , Plain, on Studs		8	
C.974	Grommet , for mounting of Petrol Pumps		4	
C.14270	Cable , linking Petrol Pumps		1	
C.2895	Earth Cable , for Petrol Pumps		2	
C.5580	Rubber Boot , on Pump Connections		2	
C.14151	CHASSIS HARNESS			
C.1040/5	Clip , securing Chassis Harness			
C.16932	HARNESS FOR HANDBRAKE AND BRAKE FLUID LEVEL WARNING LIGHT (54946923)		1	Fitted to Chassis No. 820071 and subs. 832120 and subs. 827540 and subs. 838754 and subs. 825179 and subs. 836744 and subs.
C.13570	CHECK VALVE ASSEMBLY, IN MANIFOLD, FOR WINDSCREEN WASHER CONNECTION (770779)		1	

ELECTRICAL EQUIPMENT

FOR XK.150 'S' MODELS

Part No.	Description	Plate No.	No. per Unit	Remarks
C.14268	DISTRIBUTOR (40616A/B—DMBZ.6A)		1	FOR 3.4 LITRE ENGINES WITH 9:1 COMPRESSION RATIO.
C.11906	Nut, for connection of High Tension Cables (410600)		7	
C.5452	Washer (Copper) for end of High Tension Cables		7	
6476	Clamping Plate (423605)		1	
6477	Screw (415087)		1	
6478	Cap (418857)		1	
6479	Brush and Spring inside Cap (418856)		1	
6060	Rotor (418726)		1	
C.11990	Contact Set (420197)		1	
C.11991	Condenser (423871)		1	
6480	Base Plate (419980)		1	
6481	Bearing, for Base Plate (420375)		1	
6482	Star Spring (496058)		1	
6483	Circlip, fixing Base (496059)		1	
6484	Terminal Pin, Low Tension (407019)		1	
6485	Insulating Bush, Low Tension Terminal (408927)		1	
6486	Insulating Piece, Low Tension Terminal (405319)		1	
6487	Insulating Bush (419950)		1	
6488	Lead, Low Tension (419021)		1	
6489	Lead, Earth (419023)		1	
6491	Cam (496079)		1	
8393	Spring, Auto Advance (416108/S)		1 set	
6493	Weight, Auto Advance (410033/S)		2	
6804	Shaft and Action Plate (419741)		1	
6495	Knurled Nut, adjusting Vacuum Control (419087)		1	
6496	Spring Ratchet (421825)		1	
6497	Return Spring (419086)		1	
6498	Vacuum Unit (423461)		1	
2755	Bearing (189272)		1	
6499	Bush (419673)		1	
7177	Clip, securing Cap (421824)		2	
6501	Oil Seal (418723)		1	
2943	Driving Dog (410601)		1	
C.14952	DISTRIBUTOR (40670/A—DMBZ.6A)		1	FOR 3.4 LITRE ENGINES WITH 8:1 COMPRESSION RATIO.
8394	Springs, Auto Advance (54411425)		1 set	
	All other items are as for Distributor C.14268.			
C.14269	DISTRIBUTOR (40617A/D—DMBZ.6A)		1	FOR 3.8 LITRE ENGINES WITH 9:1 COMPRESSION RATIO.
8395	Vacuum Unit (54412348)		1	
8235	Springs, Auto Advance (54410416)		1 set	
	All other items are as for Distributor C.14268.			
C.14156	BRACKET ASSEMBLY, MOUNTING IGNITION COIL		1	
UFS.125/4R	Screw, Set, securing Bracket to Barrel Nuts on Inlet Manifold		2	
FG.104/X	Washer, Spring, on Setscrews		2	
UFN.125/L	Nut, securing Coil to Bracket		2	
C.724	Washer, Shakeproof, under Nuts		2	
FW.104/T	Washer, Plain, under Shakeproof Washers		2	

Any Electrical items not covered in these pages for XK.150 'S' models will be found in the pages marked "STANDARD TRANSMISSION"

WINDSCREEN WASHER

Part No.	Description	Plate No.	No. per Unit	Remarks
C.14334	WINDSCREEN WASHER UNIT COMPLETE		1	
C.10127/1	RESERVOIR PUMP AND BRACKET ASSEMBLY (800051)		1	
C.10127/2	Reservoir	78- 1	1	
C.10127/3	Pump	78- 2	1	
C.10127/5	Bracket, holding Reservoir	78- 3	1	
C.10127/6	Strainer Tube Assembly	78- 4	1	
UFS.419/8H	Screw, Set, securing Reservoir		3	
C.4551	Distance Piece, on Setscrews		3	
UFN.119/L	Nut, on Setscrews		3	
C.723/A	Washer, Shakeproof, under Nuts		3	
C.5473/4	JET ASSEMBLY (X.78778)	78- 5	2	
C.5472/7	WINDSCREEN WASHER CONTROL BUTTON	78- 6	1	
C.13570	CHECK VALVE ASSEMBLY AT REAR OF INLET MANIFOLD (770779)	78- 7	1	Fitted from Chassis No. 820001 to 820016 830001 to 831898 827001 to 827271 837001 to 837940 824001 to 824741 834001 to 835934 AND TO ALL XK.150 'S' MODELS
C.14715	CHECK VALVE ASSEMBLY AT REAR OF INLET MANIFOLD	78- 7A	1	Fitted to Chassis No. 820017 and subs. 831899 and subs. 827272 and subs. 837941 and subs. 824742 and subs. 835935 and subs. NOT REQUIRED FOR XK.150 'S' MODELS

WINDSCREEN WASHER

Part No.	Description	Plate No.	No. per Unit	Remarks
C.5473/6	'T' PIECE AT JUNCTION OF FLUID PIPES (X.87223/1)	78- 8	1	
C.13260/1	TUBE FROM CONNECTION ON PUMP TO 'T' (81846×50" LONG)	78- 9	1	
C.13260/1	TUBE FROM CONNECTION ON PUMP TO CONTROL BUTTON (81846×50" LONG)	78-10	1	
C.13260/2	TUBE FROM CONTROL BUTTON TO CHECK VALVE ON INLET MANIFOLD (81846×28" LONG)	78-11	1	
C.13260/4	TUBE FROM 'T' PIECE TO R.H. JET (F.15×36" LONG)	78-12	1	
C.14334/1	TUBE FROM 'T' PIECE TO L.H. JET (F.15×14" LONG)	78-13	1	

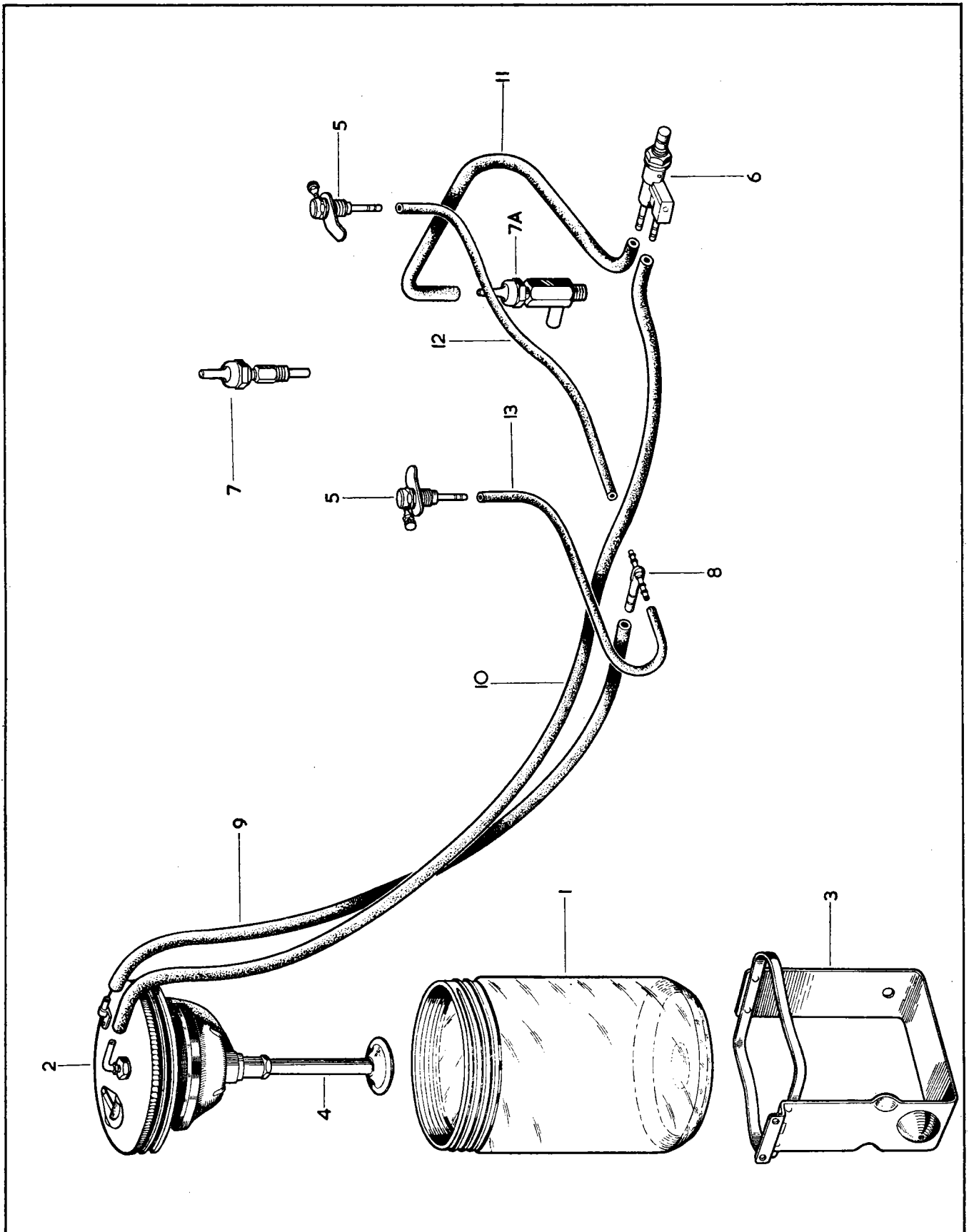


PLATE 78

HEATER INSTALLATION

Part No.	Description	Plate No.	No. per Unit	Remarks
C.17421	ADAPTOR, IN WATER MANIFOLD, FOR HEATER FEED		1	} Fitted from Chassis No. 830001 to 831139 827001 to 827193 837001 to 837627 824001 to 824584 834001 to 835718
C.2296/1	Washer (Copper) on Adaptor		1	
C.4397	HOSE, FROM ADAPTOR IN WATER MANIFOLD TO CONTROL VALVE		1	FOR XK.150 MODELS ONLY Fitted from Chassis No. 830001 to 831139 827001 to 827193 837001 to 837627 824001 to 824584 834001 to 835718
C.11730	HOSE, FROM ADAPTOR IN WATER MANIFOLD TO CONTROL VALVE		1	FITTED ONLY TO L.H. DRIVE OPEN XK.150 'S' MODELS from Chassis No. 830336 to 831139
C.4392	VALVE, CONTROLLING WATER SUPPLY TO HEATER		1	} Fitted from Chassis No. 830001 to 831139 827001 to 827193 837001 to 837627 824001 to 824584 834001 to 835718
C.4393	Knob, for operation of Water Valve		1	
C.5233/1	Screw, Set, securing Knob		1	
C.12945	BRACKET MOUNTING WATER VALVE TO MANIFOLD		1	} FOR XK.150 MODELS ONLY Fitted from Chassis No. 830001 to 831139 827001 to 827193 837001 to 837627 824001 to 824584 834001 to 835718
C.12947	Screw, Set, securing Bracket to Barrel Nuts on Inlet Manifold		2	
C.725	Washer, Shakeproof, on Setscrews		2	
C.14130	BRACKET ASSEMBLY MOUNTING WATER VALVE TO MANIFOLD		1	} FITTED ONLY TO L.H. DRIVE OPEN XK.150 'S' MODELS from Chassis No. 830336 to 831139
C.12947	Screw, Set, securing Bracket to Barrel Nuts on Inlet Manifold		2	
C.725	Washer, Shakeproof, on Setscrews		2	

HEATER INSTALLATION

Part No.	Description	Plate No.	No. per Unit	Remarks
C.12941	HOSE FROM CONTROL VALVE TO HEATER UNIT		1	} Fitted from Chassis No. 830001 to 831139 827001 to 827193 837001 to 837627 824001 to 824584 834001 to 835718
C.2905/2	Clip, securing Hose to Adaptor and Control Valve		2	
C.2905/1	Clip, securing Hose to Control Valve and Heater Unit		2	
C.8886/1	CAR HEATER ASSEMBLY (CHS.620/48)		1	} Fitted from Chassis No. 830001 to 831139 827001 to 827193 837001 to 837627 824001 to 824584 834001 to 835718
C.4391	Sealing Rubber, on Pipes of Heater Unit		2	
FN.104/L	Nut, securing Heater Unit		3	
FG.104/X	Washer, Spring, under Nuts		3	
FW.104/T	Washer, Plain, under Spring Washers		3	
UFS.319/4H	Screw, Set, securing Heater Motor Earth Lead		1	
UFN.119/L	Nut, on Setscrew		1	
C.723/A	Washer, Shakeproof, under Nut		1	
C.8888	HOSE FROM HEATER UNIT TO RETURN PIPE AT R.H. SIDE OF CYLINDER BLOCK		1	} Fitted from Chassis No. 830001 to 831139 827001 to 827193 837001 to 837627 824001 to 824584 834001 to 835718
C.13232	RETURN PIPE AT R.H. SIDE OF CYLINDER BLOCK		1	
C.4837	Clip, securing Return Pipe		2	
NS.119/4D	Screw, Set, securing Clips to Return Pipe		2	
NN.119/L	Nut, on Setscrews		2	
C.723/A	Washer, Shakeproof, under Nuts		2	
C.11730	HOSE FROM RETURN PIPE TO ELBOW ON WATER PUMP		1	} Fitted from Chassis No. 830001 to 831139 827001 to 827193 837001 to 837627 824001 to 824584 834001 to 835718
C.2905/1	Clip, securing Hoses to Heater Unit and Return Pipe		3	
C.2905/2	Clip, securing Hose to Elbow on Water Pump		1	
C.7631	ELBOW ADAPTOR, ON WATER PUMP, FOR HEATER RETURN		1	
C.7733	Gasket, under Adaptor		1	} Fitted from Chassis No. 830001 to 831139 827001 to 827193 837001 to 837627 824001 to 824584 834001 to 835718
NB.125/9D	Bolt, securing Adaptor		2	
C.724	Washer, Shakeproof, on Bolts		2	

HEATER INSTALLATION

Part No.	Description	Plate No.	No. per Unit	Remarks
BD.6521	DEMISTER OUTLET ASSEMBLY FOR HEATER UNIT		1	Fitted from Chassis No. 830001 to 831139 827001 to 827193 837001 to 837627 824001 to 824584 834001 to 835718
BD.711/1	Screw, Self Tapping, securing Outlet		2	
BD.13154	DEMISTER ASSEMBLY FOR L.H. SIDE OF WINDSCREEN		1	
BD.13155	DEMISTER ASSEMBLY FOR R.H. SIDE OF WINDSCREEN		1	
BD.711/2	Screw, Self Tapping, securing Demisters		4	
BD.13546	HOSE, 17½" LONG, CONNECTING HEATER UNIT TO L.H. DEMISTER		1	FITTED ONLY TO L.H. DRIVE OPEN CARS from Chassis No. 830001 to 831139
BD.5281/1	HOSE, 25" LONG, CONNECTING HEATER UNIT TO R.H. DEMISTER		1	
BD.13546	HOSE, 17½" LONG, CONNECTING HEATER UNIT TO L.H. DEMISTER		1	FITTED TO DROP HEAD AND FIXED HEAD COUPES ONLY from Chassis No. 827001 to 827193 837001 to 837627 824001 to 824584 834001 to 835718
BD.13547	HOSE, 9½" LONG, CONNECTING HEATER UNIT TO R.H. DEMISTER		1	
C.17421	ADAPTOR, IN WATER MANIFOLD, FOR HEATER FEED	79- 1	1	Fitted to Chassis No. 820001 and subs. 831140 and subs. 827194 and subs. 837628 and subs. 824585 and subs. 835719 and subs.
C.2296/1	Washer (Copper) on Adaptor		1	

HEATER INSTALLATION

Part No.	Description	Plate No.	No. per Unit	Remarks
BD.215/2	ELBOW HOSE FROM ADAPTOR IN WATER MANIFOLD TO HEATER PIPE ON DASH	79- 2	1	} FITTED TO XK.150 MODELS ONLY at Chassis No. 820001 and subs. 831140 and subs. 827194 and subs. 837628 and subs. 824585 and subs. 835719 and subs.
C.2905/2	Clip, securing Hose		2	
C.8888	HOSE FROM ADAPTOR IN WATER MANIFOLD TO HEATER PIPE ON DASH		1	} FITTED TO XK.150 'S' MODELS ONLY at Chassis No. 820005 and subs. 831140 and subs. 827334 and subs. 837993 and subs. 824789 and subs. 835961 and subs.
C.2905/2	Clip, securing Hose		2	
C.14207	HEATER FEED PIPE ON DASH	79- 3	1	} Fitted to Chassis No. 820001 and subs. 831140 and subs. 827194 and subs. 837628 and subs. 824585 and subs. 835719 and subs.
C.14326	Clip, securing Feed Pipe to Dash		2	
UFS.119/4R	Screw, Set, securing Clips to Pipe and Dash		4	
UFN.119/L	Nut, securing Clips on Pipe		2	
C.723/A	Washer, Shakeproof, on Setscrews		4	
AW.102/T	Washer, Plain, at Clip to Pipe fixing		2	
C.4397	HOSE FROM FEED PIPE TO WATER CONTROL VALVE	79- 4	1	} Fitted to Chassis No. 820001 and subs. 831140 and subs. 827194 and subs. 837628 and subs. 824585 and subs. 835719 and subs.
C.2905/2	Clip, securing Hose		2	
C.9927	WATER CONTROL VALVE ASSEMBLY (FHW1272/22)	79- 5	1	} Fitted to Chassis No. 820001 and subs. 831140 and subs. 827194 and subs. 837628 and subs. 824585 and subs. 835719 and subs.
UFS.419/5H	Screw, Set, securing Control Valve to Bracket		2	
UFN.119/L	Nut, on Setscrews		2	
C.723/A	Washer, Shakeproof, under Nuts		2	

HEATER INSTALLATION

Part No.	Description	Plate No.	No. per Unit	Remarks
C.14324	FEED PIPE, FROM CONTROL VALVE TO RADIATOR	79- 6	1	} Fitted to Chassis No. 820001 and subs. 831140 and subs. 827194 and subs. 837628 and subs. 824585 and subs. 835719 and subs.
C.9928	Rubber Sealing Ring on Pipe, at connection to Control Valve	79- 7	1	
BD.215/2	ELBOW HOSE, CONNECTING FEED PIPE TO RADIATOR	79- 8	1	
C.2905/2	Clip, securing Hose		2	
C.9288	WATER RADIATOR FOR HEATER	79- 9	1	} Fitted to Chassis No. 820001 and subs. 831140 and subs. 827194 and subs. 837628 and subs. 824585 and subs. 835719 and subs.
BD.15046	Mounting Plate, for Water Radiator	79-10	1	
BD.15378/1	Sealing Felt, for Radiator Mounting Plate		1	
BD.711/9	Screw, Self Tapping, securing Radiator Mounting Plate to Dash		10	
BD.8536/1	Spire Nut, on Self-Tapping Screws		10	
C.9290	ELECTRIC MOTOR FOR HEATER FAN	79-11	1	} Fitted to Chassis No. 820001 and subs. 831140 and subs. 827194 and subs. 837628 and subs. 824585 and subs. 835719 and subs.
BD.15049	Mounting Plate, for Heater Motor	79-12	1	
BD.711/9	Screw, Self-Tapping, securing Mounting Plate to Dash		5	
BD.8536/1	Spire Nut, on Self-Tapping Screws		5	
BD.15378/1	Sealing Felt, for Mounting Plate		1	
C.9291	FAN ON HEATER MOTOR	79-13	1	} Fitted to Chassis No. 820001 and subs. 831140 and subs. 827194 and subs. 837628 and subs. 824585 and subs. 835719 and subs.
UFS.419/8D	Screw, Set, securing Heater Motor to Mounting Plate		3	
C.10103	Rubber Ring, on Setscrews, cushioning Heater Motor		6	
C.10102	Felt Washer, sealing Heater Motor		1	
AW.102/T	Washer, Plain, on Setscrews		6	
UFN.119/L	Nut, on Setscrews		3	

HEATER INSTALLATION

Part No.	Description	Plate No.	No. per Unit	Remarks
BD.215/2	ELBOW HOSE, CONNECTING WATER RADIATOR TO REAR RETURN PIPE ON DASH	79-14	1	Fitted to Chassis No. 820001 and subs. 831140 and subs. 827194 and subs. 837628 and subs. 824585 and subs. 835719 and subs.
C.2905/2	Clip, securing Elbow Hose		2	
C.14206	REAR RETURN PIPE ON DASH	79-15	1	
C.14325	Clip, securing Rear Return Pipe to Dash		2	
UFS.119/4R	Screw, Set, securing Pipe and Clips to Dash		2	
UFN.119/L	Nut, on Setscrews		2	
C.723/A	Washer, Shakeproof, under Nuts		2	
C.11730	HOSE, CONNECTING REAR RETURN PIPE TO FRONT RETURN PIPE ON CYLINDER BLOCK	79-16	1	
C.2905/2	Clip, securing Hose		2	
C.13232	FRONT RETURN PIPE AT R.H. SIDE OF CYLINDER BLOCK	79-17	1	
C.4837	Clip, securing Front Return Pipe		2	
NS.119/4D	Screw, Set, securing Clips to Pipe		2	
NN.119/L	Nut, on Setscrews		2	
C.723/A	Washer, Shakeproof, under Nuts		2	
C.11730	HOSE, CONNECTING FRONT RETURN PIPE TO ELBOW ADAPTOR ON WATER PUMP	79-18	1	
C.2905/1	Clip, securing Hose to Elbow Adaptor		1	
C.2905/2	Clip, securing Hose to Return Pipe		1	
C.7631	ELBOW ADAPTOR, IN WATER PUMP, FOR HEATER RETURN	79-19	1	
C.7733	Gasket, under Adaptor		1	
NB.125/9D	Bolt, securing Adaptor		2	
C.724	Washer, Shakeproof, on Bolts		2	

HEATER INSTALLATION

Part No.	Description	Plate No.	No. per Unit	Remarks
BD.15420	CONTROL LEVER FOR HEATER	79-20	1	} Fitted to Chassis No. 820001 and subs. 831140 and subs. 827194 and subs. 837628 and subs. 824585 and subs. 835719 and subs.
BD.15260	KNOB, ON HEATER CONTROL LEVER	79-21	1	
UCS.311/2H	Screw, Set, securing Knob to Control Lever		1	
BD.15554	MOUNTING BRACKET FOR CONTROL LEVER	79-22	1	
BD.13819/2	Screw, Set, for mounting of Control Lever to Bracket		1	
BD.541/3	Washer, Brass, on Setscrew		1	
C.8667/1	Nut, Self Locking, on Setscrew		1	
UFS.119/4R	Screw, Set, securing Bracket to Instrument Panel Bracket		2	
UFN.119/L	Nut, on Setscrews		2	
C.723/A	Washer, Shakeproof, under Nuts		2	
BD.10856	Clamp, for Outer Cable	79-23	1	
C.14607	CABLE FOR OPERATION OF WATER CONTROL VALVE	79-24	1	} Fitted to Chassis No. 820001 and subs. 831140 and subs. 827194 and subs. 837628 and subs. 824585 and subs. 835719 and subs.
C.14606	Outer Cable, on Operating Cable	79-25	1	
BD.11721	Clamp Pin, for fixing of Operating Cable to Control Lever	79-26	1	
UCS.113/2H	Screw, Set, securing Cable in Clamp Pin	79-27	1	
C.8667/20	Nut, securing Clamp Pin to Control Lever		1	
AW.102/T	Washer, Plain, under Nut		1	
C.10351	Trunnion, for fixing of Inner Cable to Control Valve	79-28	1	
C.10352	Screw, Set, securing Cable in Trunnion	79-29	1	
BD.14626	DOOR ASSEMBLY, UNDER L.H. SIDE OF DASH, FOR AIR FROM HEATER	79-30	1	} Fitted to Chassis No. 820001 and subs. 831140 and subs. 827194 and subs. 837628 and subs. 824585 and subs. 835719 and subs.
BD.14627	DOOR ASSEMBLY, UNDER R.H. SIDE OF DASH, FOR AIR FROM HEATER	79-31	1	
BD.14702	Spring, on L.H. Door	79-32	1	
BD.14703	Spring, on R.H. Door	79-33	1	
BD.10807	Knob, on Doors	79-34	2	
UCS.119/3R	Screw, Set, securing Knobs		2	
C.723/A	Washer, Shakeproof, on Setscrews		2	
BD.16194	Seal (Polyurethane) for Doors		2	
UFS.419/4H	Screw, Set, securing Doors		4	
C.723/A	Washer, Shakeproof, on Setscrews		4	

HEATER INSTALLATION

Part No.	Description	Plate No.	No. per Unit	Remarks
BD.14607	RUBBER ELBOW, ON HEATER BOX, CARRYING AIR TO DEMISTER BOXES	79-35	4	} Fitted to Chassis No. 820001 and subs. 831140 and subs. 827194 and subs. 837628 and subs. 824585 and subs. 835719 and subs.
BD.16083	HOSE, 20$\frac{1}{2}$" LONG, BETWEEN ELBOWS AND DEMISTER BOXES	79-36	2	
BD.16084	HOSE, 25$\frac{3}{4}$" LONG, BETWEEN ELBOWS AND DEMISTER BOXES	79-37	2	} FITTED ONLY TO OPEN MODELS at Chassis No. 820001 and subs. 831140 and subs.
BD.16081	HOSE, 15$\frac{1}{2}$" LONG, BETWEEN ELBOWS AND DEMISTER BOXES	79-36	2	
BD.16083	HOSE, 20$\frac{1}{2}$" LONG, BETWEEN ELBOWS AND DEMISTER BOXES	79-37	2	} FITTED TO DROP HEAD AND FIXED HEAD COUPES ONLY at Chassis No. 827194 and subs. 837628 and subs. 824585 and subs. 835719 and subs.
BD.15404	DEMISTER BOX ASSEMBLY, L.H.	79-38	1	
BD.15405	DEMISTER BOX ASSEMBLY, R.H.	79-39	1	} FITTED TO DROP HEAD AND FIXED HEAD COUPES ONLY at Chassis No. 827194 and subs. 837628 and subs. 824585 and subs. 835719 and subs.
UFS.125/3R	Screw, Set, securing Demister Boxes to Screen Rail Trim Panels		4	
FW.104/T	Washer, Plain, on Setscrews		4	
UFN.125/L C.724	Nut, on Setscrews Washer, Shakeproof, under Nuts		4	

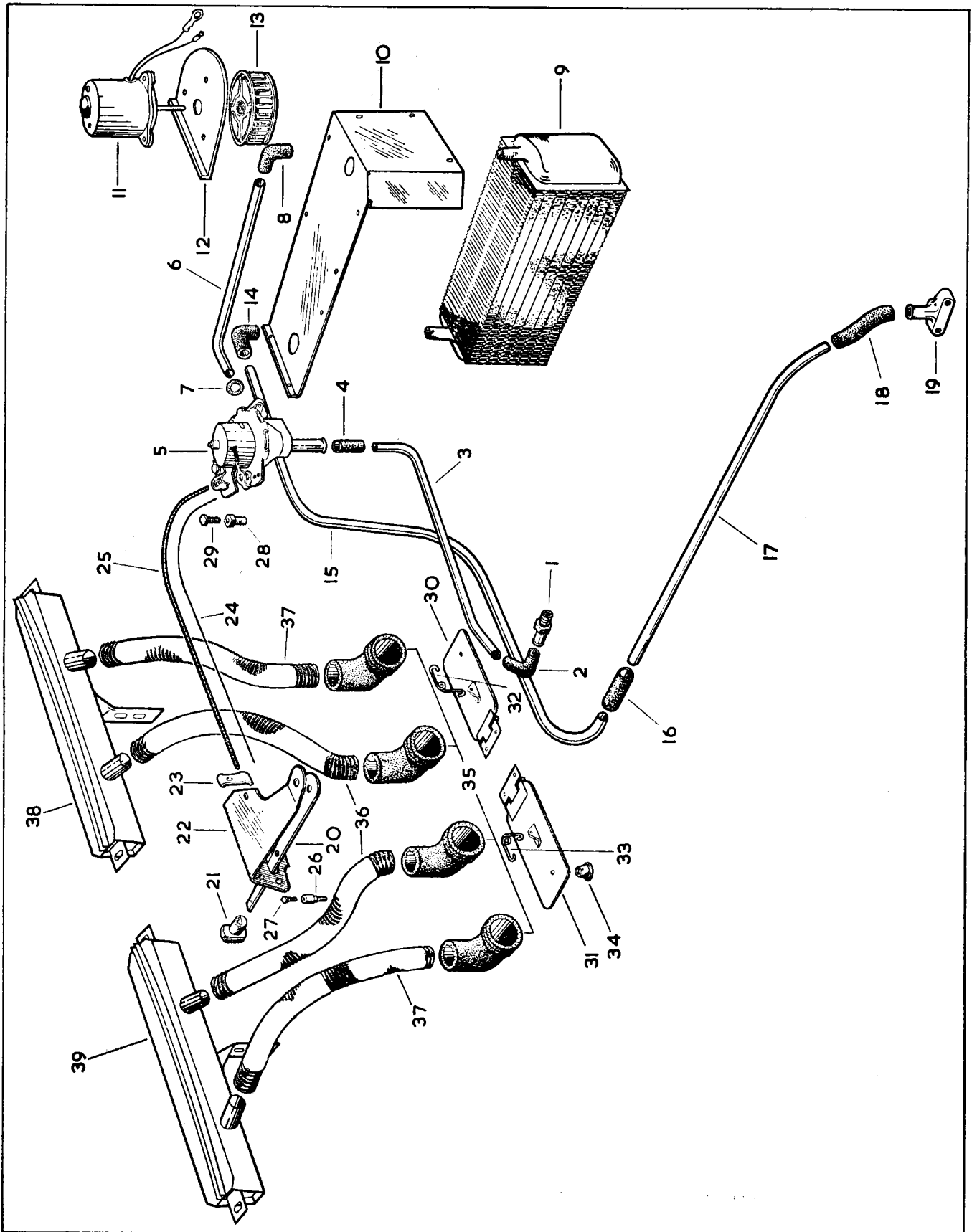


PLATE 79