

# FRONT BRAKES

FOR XK.150 MODELS ONLY

FITTED FROM CHASSIS No. 820001 TO 820003, 827001 TO 827235, 824001 TO 824668  
830001 TO 831711, 837001 TO 837835, 834001 TO 835885

Part No.	Description	Plate No.	No. per Unit	Remarks
C.13194	<b>R.H. FRONT CALIPER ASSEMBLY (VB.419/A)</b>		1	
6900	Front Caliper only (VBM.411)	56- 1	1	
6903	Piston Assembly (VBO.1992)	56- 2	2	
6905	Cylinder Block Assembly (VBO.2024/B)	56- 3	2	
6912	Friction Pad (VBO.645/F)	56- 4	2	
7283	Carrier Plate for Friction Pads (VBO.2087)	56- 5	2	
7225	Dust Seal, behind Carrier Plate (VBO.485)	56- 6	2	
6910	Retractor Pin and Bush Assembly (JA.6)	56- 7	4	
6911	Bleed Screw and Ball Assembly (JA.5)	56- 8	1	
6953	Bridge Pipe Assembly (VBO.2372)	56- 9	1	
6913	Bolt, securing Cylinders (VBO.1337)	56-10	8	
C.724	Washer, Shakeproof, on Bolts (1214)	56-11	8	
C.13195	<b>L.H. FRONT CALIPER (VB.419/B)</b>		1	
6954	Bridge Pipe Assembly (VBO.2373)		1	
	<b>All other items as for Caliper Assembly C.13194</b>			
C.13196	Shim (.005" thick) for adjustment of Front Calipers	56-12	As req'd	
C.13197	Shim (.020" thick) for adjustment of Front Calipers	56-12	As req'd	
C.13547	Bolt, securing Front Calipers to Adaptor Plates (75507)		4	
FG.108/X	Washer, Spring, on Bolts		4	
C.837	Lockwire, for Caliper Bolts		As req'd	
7328	<b>CEMENT FOR FIXING OF FRICTION PADS TO CARRIER PLATES</b>		1 Tube	
6903	<b>PISTON ASSEMBLY IN FRONT CYLINDERS (VBO.1992)</b>	56- 2	4	
6916	Seal, on Piston (VBO.1122)	56-13	4	
6917	Washer, retaining Seal on Piston (VBO.1996)	56-14	4	
6915	<b>REPAIR KIT FOR FRONT WHEEL CYLINDERS (JA.1) (COMPRISING PISTON SEAL, PISTON WASHER AND DUST SEAL)</b>		4	

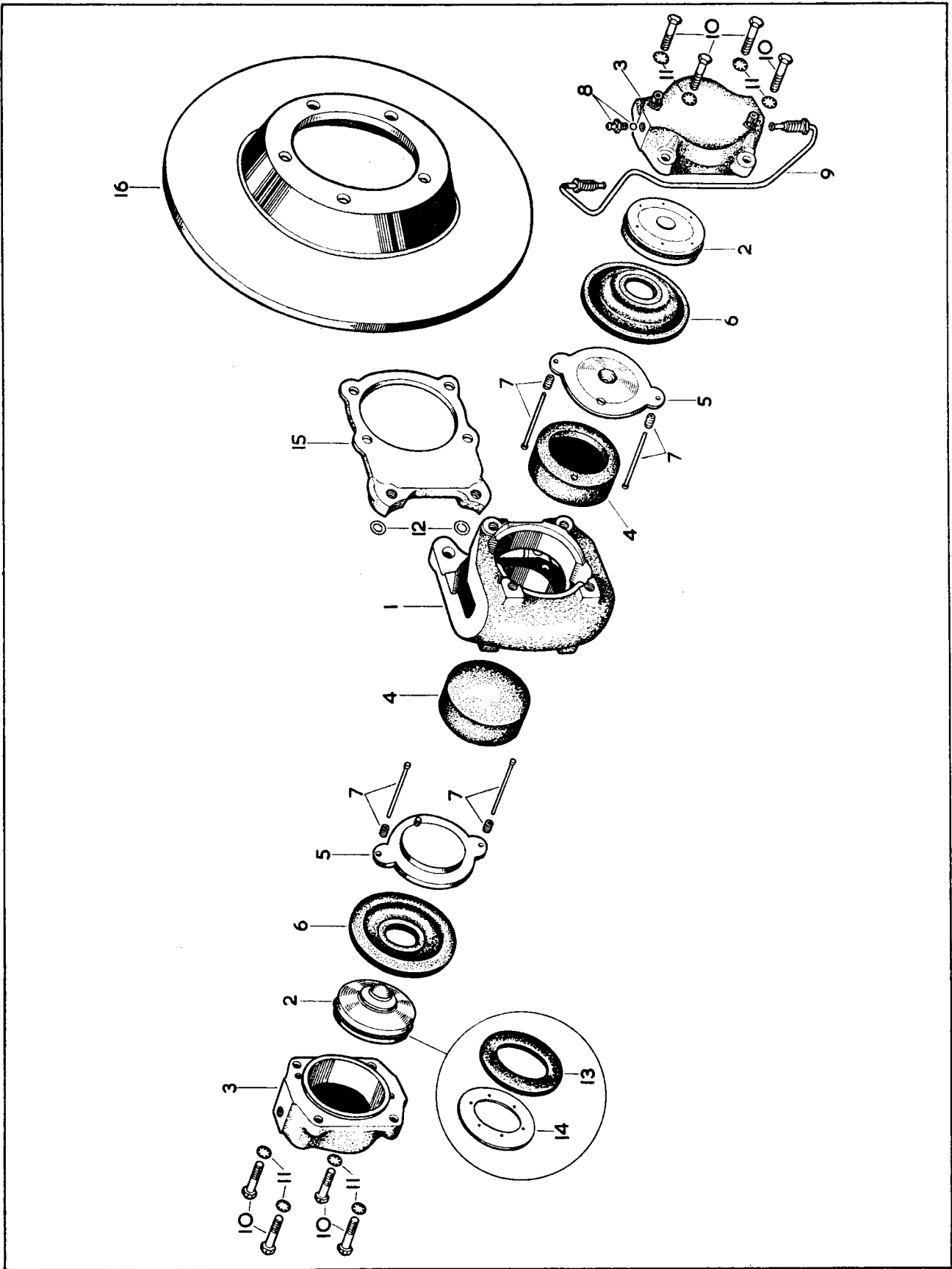


PLATE 56

# REAR BRAKES

FOR XK.150 MODELS ONLY

FITTED FROM CHASSIS No. 820001 TO 820003, 827001 TO 827235, 824001 TO 824668  
830001 TO 831711, 837001 TO 837835, 834001 TO 835885

Part No.	Description	Plate No.	No. per Unit	Remarks
7254	<b>R.H. REAR CALIPER ASSEMBLY</b>		1	<b>DROP HEAD AND FIXED HEAD COUPES ONLY</b> Fitted from Chassis No. 837001 to 837013 824001 to 824022 834001 to 834453
6902	Rear Caliper only	57- 1	1	
6904	Piston Assembly	57- 2	2	
6906	Cylinder Assembly	57- 3	2	
6912	Friction Pad (VBO.645/F)	57- 4	2	
7283	Carrier Plate for Friction Pads (VBO.2087)	57- 5	2	
7216	Dust Seal behind Carrier Plate	57- 6	2	
6910	Retractor Pin and Bush Assembly (JA.6)	57- 7	4	
6911	Bleed Screw and Ball Assembly (JA.5)	57- 8	1	
6953	Bridge Pipe Assembly (VBO.2372)	57- 9	1	
6913	Bolt, securing Cylinders (VBO.1337)	57-10	8	
C.724	Washer, Shakeproof, on Bolts	57-11	8	
7255	<b>L.H. REAR CALIPER ASSEMBLY</b>		1	<b>DROP HEAD AND FIXED HEAD COUPES ONLY</b> Fitted from Chassis No. 837001 to 837013 824001 to 824022 834001 to 834453
6901	Rear Caliper only		1	
6954	Bridge Pipe Assembly (VBO.2373)		1	
	<b>All other items as for Caliper Assembly 7254</b>			
C.13198	Shim (.005" thick) for adjustment of Rear Calipers (VBO.1333)	57-12	As req'd	
C.13199	Shim (.020" thick) for adjustment of Rear Calipers (VBO.1334)	57-12	As req'd	
C.13994	Shim (.040" thick) for adjustment of Rear Calipers	57-12	As req'd	
C.14383	Bolt, securing Calipers to Rear Adaptor Plates		4	
FG.107/X	Washer, Spring, on Bolts		4	
C.837	Lockwire, for Caliper Bolts		As req'd	
6904	<b>PISTON ASSEMBLY IN REAR CYLINDERS</b>	57- 2	4	
6916	Seal, on Piston	57-13	4	
7077	Washer, retaining Seal on Piston	57-14	4	
6918	<b>REPAIR KIT FOR REAR WHEEL CYLINDERS (COMPRISING DUST SEAL, PISTON SEAL, AND PISTON WASHER)</b>		4	

# REAR BRAKES

FOR XK.150 MODELS ONLY

FITTED FROM CHASSIS No. 820001 TO 820003, 827001 TO 827235, 824001 TO 824668  
830001 TO 831711, 837001 TO 837835, 834001 TO 835885

Part No.	Description	Plate No.	No. per Unit	Remarks
7256	<b>R.H. REAR CALIPER ASSEMBLY</b>		1	Fitted from Chassis No. 820001 to 820003 830001 to 831711 827001 to 827235 837014 to 837835 824023 to 824668 834454 to 835885
6902	Rear Caliper only	57- 1	1	
7227	Piston Assembly	57- 2	2	
7226	Cylinder Assembly	57- 3	2	
6912	Friction Pad (VBO.645/F)	57- 4	2	
7283	Carrier Plate for Friction Pads (VBO.2087)	57- 5	2	
7216	Dust Seal behind Carrier Plate	57- 6	2	
6910	Retractor Pin and Bush Assembly (JA.6)	57- 7	4	
6911	Bleed Screw and Ball Assembly (JA.5)	57- 8	1	
6953	Bridge Pipe Assembly (VBO.2372)	57- 9	1	
6913	Bolt, securing Cylinders (VBO.1337)	57-10	8	
C.724	Washer, Shakeproof, on Bolts	57-11	8	
7257	<b>L.H. REAR CALIPER ASSEMBLY</b>		1	Fitted from Chassis No. 820001 to 820003 830001 to 831711 827001 to 827235 837014 to 837835 824023 to 824668 834454 to 835885
6901	Rear Caliper only		1	
6954	Bridge Pipe Assembly (VBO.2373)		1	
<b>All other items as for Caliper Assembly 7256</b>				
C.13198	Shim (.005" thick) for adjustment of Rear Calipers (VBO.1333)	57-12	As req'd	
C.13199	Shim (.020" thick) for adjustment of Rear Calipers (VBO.1334)	57-12	As req'd	
C.13994	Shim (.040" thick) for adjustment of Rear Calipers	57-12	As req'd	
C.14383	Bolt, securing Calipers to Rear Adaptor Plates		4	
FG.107/X	Washer, Spring, on Bolts		4	
C.837	Lockwire, for Caliper Bolts		As req'd	
7227	<b>PISTON ASSEMBLY IN REAR CYLINDERS</b>	57- 2	4	Fitted from Chassis No. 820001 to 820003 830001 to 831711 827001 to 827235 837014 to 837835 824023 to 824668 834454 to 835885
7247	Seal, on Piston	57-13	4	
7246	Washer, retaining Seal on Piston	57-14	4	
7241	<b>REPAIR KIT FOR REAR WHEEL CYLINDERS (COMPRISING DUST SEAL, PISTON SEAL, AND PISTON WASHER)</b>		4	
6920	<b>HANDBRAKE MECHANISM ASSEMBLY, R.H.</b>	57-15	1	
7290	Pad Carrier Assembly, R.H. Inner	57-16	1	
7291	Pad Carrier Assembly, R.H. Outer	57-17	1	
6931	Operating Lever (VBO.2348)	57-18	1	
6927	Bolt, securing Pad Carriers to Operating Lever (VBO.2338)	57-19	1	
C.8667/2	Nut, Self-Locking, on Bolt	57-20	1	
6923	Pivot Seat, for Operating Lever (VBO.2350)	57-21	1	
6926	Clevis Pin, securing Pivot Seat (VBO.1027)	57-22	1	
L.102/4U	Split Pin, retaining Clevis Pin	57-23	1	

# REAR BRAKES

FOR XK.150 MODELS ONLY

FITTED FROM CHASSIS No. 820001 TO 820003, 827001 TO 827235, 824001 TO 824668  
830001 TO 831711, 837001 TO 837835, 834001 TO 835885

Part No.	Description	Plate No.	No. per Unit	Remarks
6921	<b>HANDBRAKE MECHANISM ASSEMBLY, L.H.</b>		1	
7292	Pad Carrier Assembly, L.H. Inner		1	
7293	Pad Carrier Assembly, L.H. Outer		1	
	<b>All other items as for Handbrake Mechanism 6920</b>			
6925	Bolt, securing Handbrake Mechanism to Rear Calipers	57-24	4	
6932	Tab Washer, locking Bolts	57-25	2	
8302	<b>REPAIR KIT FOR HANDBRAKE MECHANISM (JA.15) (COMPRISING FRICTION PADS AND BIFURCATED RIVETS)</b>		2	
C.12935	<b>REAR ADAPTOR PLATE, R.H.</b>	57-26	1	
C.12936	<b>REAR ADAPTOR PLATE, L.H.</b>		1	
C.12988	<b>DISC FOR REAR CALIPERS (VBM.680)</b>	57-27	2	
C.13546	Bolt, securing Discs to Rear Hubs		10	
FG.107/X	Washer, Spring, on Bolts		10	
UFN.143/L	Nut, on Bolts		10	<b>NOT REQUIRED WHEN DISC ROAD WHEELS ARE FITTED.</b>
C.12931	<b>REAR HUB ASSEMBLY</b>		2	<b>REQUIRED WHEN DISC ROAD WHEELS ARE FITTED.</b>
C.13365	Stud, in Hubs, for fixing of Road Wheels		10	
C.12933	<b>R.H. REAR HUB</b>		1	} <b>REQUIRED WHEN WIRE SPOKE WHEELS ARE FITTED.</b>
C.12934	<b>L.H. REAR HUB</b>		1	

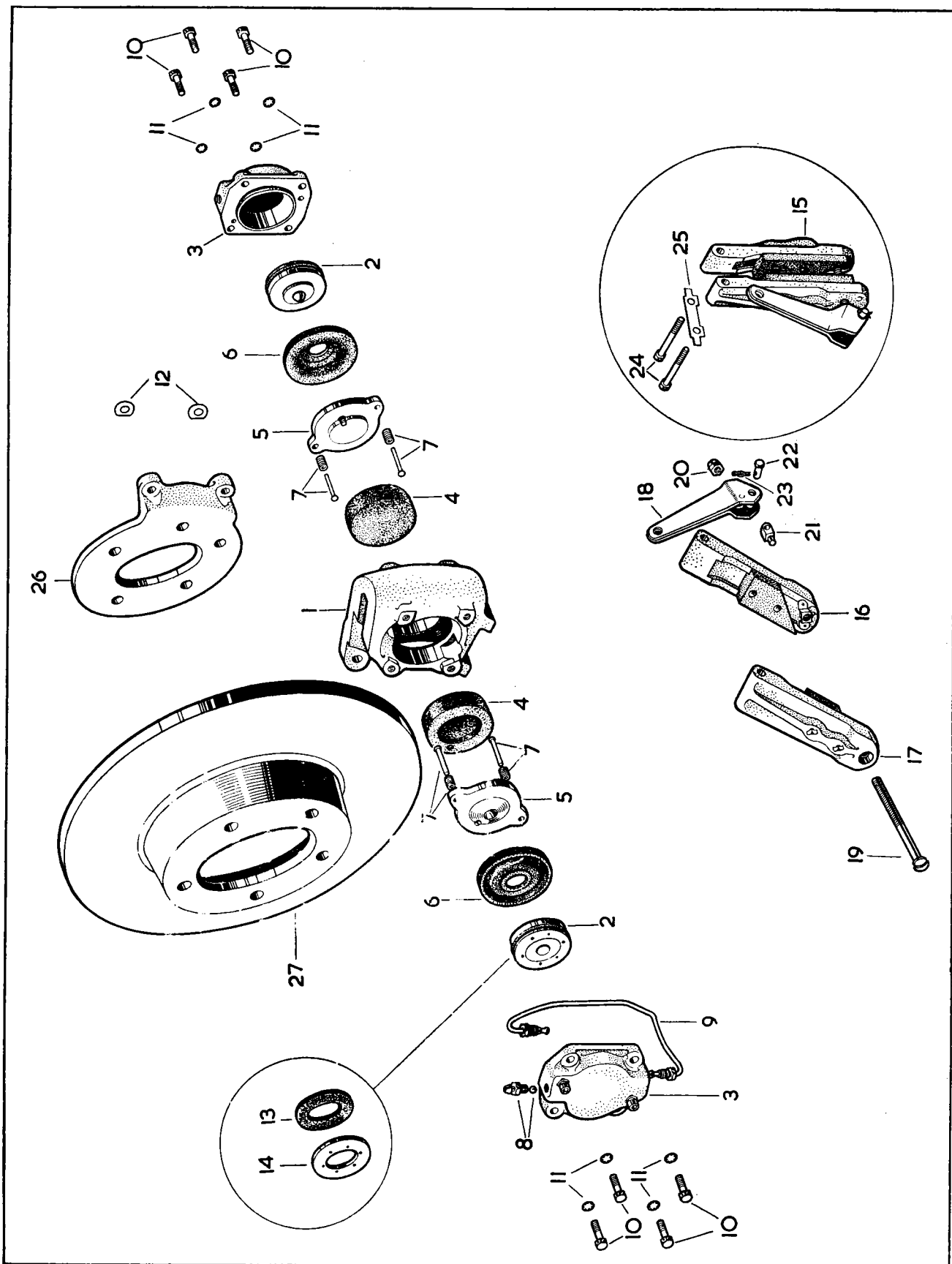


PLATE 57

# FRONT BRAKES

FOR XK.150 MODELS ONLY

FITTED TO CHASSIS No. 820004 AND SUBS., 827236 AND SUBS., 824669 AND SUBS.,  
831712 AND SUBS., 837836 AND SUBS., 835886 AND SUBS.

Part No.	Description	Plate No.	No. per Unit	Remarks
C.15648	<b>R.H. FRONT CALIPER ASSEMBLY (VB.1028A/N)</b>		1	
7715	Front Caliper only (VBM.1006)	58- 1	1	
7937	Friction Pad Assembly (VBO.5138/N)	58- 2	2	
7718	Support Plate for Friction Pads (VBO.5133)	58- 3	2	
7719	Retaining Plate, for Friction Pads (VBO.5123)	58- 4	1	
UFB.125/7R	Bolt, securing Retaining Plate	58- 5	1	
UFN.125/L	Nut, on Bolt	58- 6	1	
C.724	Washer, Shakeproof, under Nut	58- 7	1	
7841	Piston Assembly (VBO.5244)	58- 8	2	
7843	Cylinder Assembly (VBO.5224)	58- 9	2	
7720	Bolt, securing Cylinder to Calipers (VBO.5100)	58-10	8	
C.724	Washer, Shakeproof, on Bolts	58-11	8	
6911	Bleed Screw and Ball Assembly (VBO.5114)	58-12	1	
7783	Bridge Pipe Assembly (VBO.5203)	58-13	1	
C.15649	<b>L.H. FRONT CALIPER ASSEMBLY (VB.1028B/N)</b>		1	
7822	Bridge Pipe Assembly (VBO.5204)		1	
	<b>All other items as for R.H. Front Caliper C.15648</b>			
C.13196	Shim (.005" thick) for adjustment of Front Calipers	58-14	As req'd	
C.13197	Shim (.020" thick) for adjustment of Front Calipers	58-14	As req'd	
C.13547	Bolt, securing Front Calipers to Adaptor Plates (75507)		4	
FG.108/X	Washer, Spring, on Bolts		4	
C.837	Lockwire, for Caliper Bolts		As req'd	
7841	<b>PISTON ASSEMBLY IN FRONT CYLINDERS (VBO.5244)</b>	58- 8	4	
7844	Piston Sub Assembly (VBO.5034)	58-15	4	
7726	Retractor Bush (VBO.5135)	58-16	4	
6916	Piston Seal (VBO.1112)	58-17	4	
7845	Plate, retaining Piston Seal (VBO.5210)	58-18	4	
AS.504/2D	Screw, securing Retaining Plates (VBO.6004)	58-19	8	
8303	Washer, Countersunk, Shakeproof, on Screws	58-20	8	
7844	<b>PISTON SUB ASSEMBLY FOR FRONT CYLINDERS (VBO.5034)</b>	58-15	4	
7225	Dust Seal, on Pistons (VBO.485)		4	

# FRONT BRAKES

FOR XK.150 MODELS ONLY

FITTED TO CHASSIS No. 820004 AND SUBS., 827236 AND SUBS., 824669 AND SUBS.,  
831712 AND SUBS., 837836 AND SUBS., 835886 AND SUBS.

Part No.	Description	Plate No.	No. per Unit	Remarks
7727	REPAIR KIT FOR FRONT WHEEL CYLINDERS (JA.10) (COMPRISING PISTON SEAL AND DUST SEAL)		4	
7840	PISTON RETRACTION TOOL		1	FOR USE WHEN RENEWING FRICTION PADS.
C.12930	ADAPTOR PLATE FOR FRONT CALIPERS	58-21	2	
C.12988	DISC FOR FRONT CALIPERS (VBM.680)	58-22	2	
C.13546	Bolt, securing Discs to Front Hubs (75510)		10	NOT REQUIRED WHEN DISC ROAD WHEELS ARE FITTED.
FG.107/X	Washer, Spring, on Bolts		10	
UFN.143/L	Nut, on Bolts		10	
C.12926	FRONT HUB ASSEMBLY		2	REQUIRED WHEN DISC WHEELS ARE FITTED.
C.13365	Stud, in Hubs, for fixing of Road Wheels		10	
C.3044/1	Grease Nipple (Tec.NA.6656)		2	
C.12928	R.H. FRONT HUB		1	} REQUIRED WHEN WIRE SPOKE WHEELS ARE FITTED.
C.12929	L.H. FRONT HUB		1	



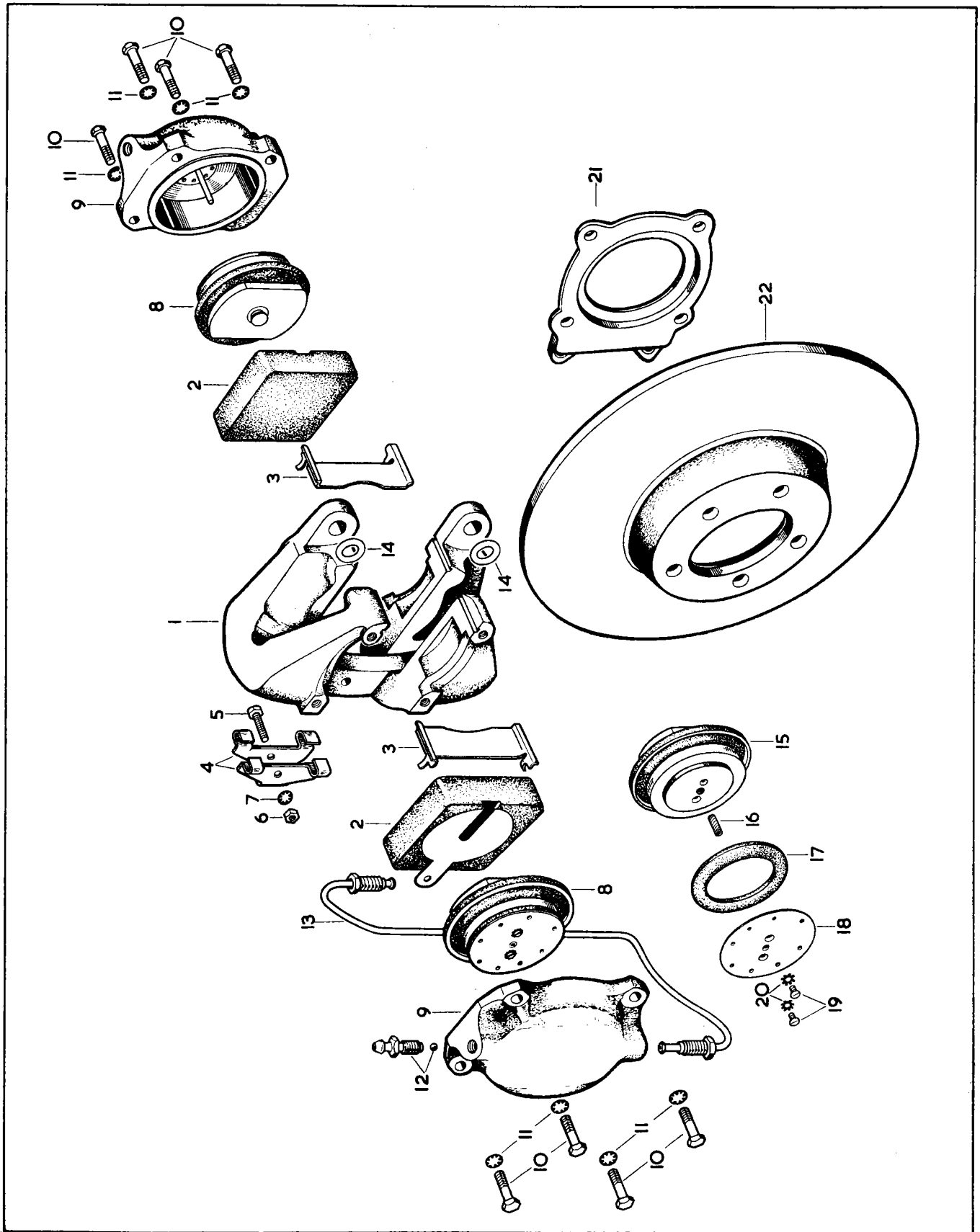


PLATE 58

# REAR BRAKES

FOR XK.150 MODELS ONLY

FITTED TO CHASSIS No. 820004 AND SUBS., 827236 AND SUBS., 824669 AND SUBS.,  
831712 AND SUBS., 837836 AND SUBS., 835886 AND SUBS.

Part No.	Description	Plate No.	No. per Unit	Remarks	
C.14876	<b>R.H. REAR CALIPER ASSEMBLY (VB.1038/A)</b>		1	} Fitted from Chassis No. 820004 to 820070 831712 to 832119 827236 to 827539 837836 to 838753 824669 to 825178 835886 to 836743	
7731	Rear Caliper only (VBM.1011)		1		
7937	Friction Pad (VBO.5138/N)		2		
7718	Support Plate for Friction Pads (VBO.5133)		2		
7719	Retaining Plate for Friction Pads (VBO.5123)		1		
UFB.125/7R	Bolt, securing Retaining Plate		1		
UFN.125/L	Nut, on Bolt		1		
C.724	Washer, Shakeproof, under Nut		1		
7846	Piston Assembly (VBO.5245)		2		
7847	Cylinder Assembly (VBO.5225)		2		
7720	Bolt, securing Cylinders (VBO.5100)		8		
C.724	Washer, Shakeproof, on Bolts		8		
6911	Bleed Screw and Ball Assembly (VBO.5114)		1		
7819	Bridge Pipe Assembly		1		
C.14877	<b>L.H. REAR CALIPER ASSEMBLY (VB.1038/B)</b>		1	}	
7735	Rear Caliper only (VBM.1013)		1		
7818	Bridge Pipe Assembly (VBO.3597)		1		
All other items as for Caliper Assembly C.14876					
C.16503	<b>R.H. REAR CALIPER ASSEMBLY (VBO.1092A/N)</b>		1	} Fitted to Chassis No. 820071 and subs. 832120 and subs. 827540 and subs. 838754 and subs. 825179 and subs. 836744 and subs.	
8009	Rear Caliper only (VBM.1080)	59- 1	1		
7937	Friction Pad (VBO.5138/N)	59- 2	2		
7718	Support Plate for Friction Pads (VBO.5133)	59- 3	2		
7719	Retaining Plate for Friction Pads (VBO.5123)	59- 4	1		
UFB.125/7R	Bolt, securing Retaining Plate	59- 5	1		
UFN.125/L	Nut, on Bolt	59- 6	1		
C.724	Washer, Shakeproof, under Nut	59- 7	1		
7846	Piston Assembly (VBO.5245)	59- 8	2		
7847	Cylinder Assembly (VBO.5225)	59- 9	2		
7720	Bolt, securing Cylinders (VBO.5100)	59-10	8		
C.724	Washer, Shakeproof, on Bolts	59-11	8		
6911	Bleed Screw and Ball Assembly (VBO.5114)	59-12	1		
7819	Bridge Pipe Assembly	59-13	1		
C.16504	<b>L.H. REAR CALIPER ASSEMBLY (VBO.1092B/N)</b>		1	}	
8010	Rear Caliper only (VBM.1081)		1		
7818	Bridge Pipe Assembly (VBO.3597)		1		
All other items as for Caliper Assembly C.16503					
C.13198	Shim (.005" thick) for adjustment of Rear Calipers (VBO.1333)	59-14	As req'd	} Fitted from Chassis No. 820004 to 820070 831712 to 832119 827236 to 827539 837836 to 838753 824669 to 825178 835886 to 836743	
C.13199	Shim (.020" thick) for adjustment of Rear Calipers (VBO.1334)	59-14	As req'd		
C.13994	Shim (.040" thick) for adjustment of Rear Calipers	59-14	As req'd		
C.14383	Bolt, securing Calipers to Rear Adaptor Plates		4		
FG.107/X	Washer, Spring, on Bolts		4		
C.837	Lockwire, for Caliper Bolts		As req'd		
C.16262	Bolt, securing Calipers to Rear Adaptor Plates		4		
C.837	Lockwire, for Bolts		As req'd		
Fitted to Chassis No. 820071 and subs. 832120 and subs. 827540 and subs. 838754 and subs. 825179 and subs. 836744 and subs.					

# REAR BRAKES

FOR XK.150 MODELS ONLY

FITTED TO CHASSIS No. 820004 AND SUBS., 827236 AND SUBS., 824669 AND SUBS.,  
831712 AND SUBS., 837836 AND SUBS., 835886 AND SUBS.

Part No.	Description	Plate No.	No. per Unit	Remarks
7846	<b>PISTON ASSEMBLY IN REAR CYLINDERS (VBO.5245)</b>	59- 8	4	
7848	Piston Sub-Assembly (VBO.5235)	59-15	4	
7726	Retractor Bush (VBO.5135)	59-16	4	
7737	Piston Seal (VBO.5061)	59-17	4	
7849	Plate, retaining Piston Seal (VBO.5054)	59-18	4	
AS.504/2D	Screw, securing Retaining Plates	59-19	8	
8303	Washer, Shakeproof, on Screws (VBO.6100)	59-20	8	
7848	<b>PISTON SUB-ASSEMBLY FOR REAR REAR CYLINDERS (VBO.5235)</b>	59-15	4	
7216	Dust Seal (VBO.484)		4	
7728	<b>REPAIR KIT FOR REAR WHEEL CYLINDERS (JA.11)</b> (COMPRISING PISTON SEAL AND DUST SEAL)		4	
7739	<b>HANDBRAKE MECHANISM ASSEMBLY, R.H. (VBM.3105/A)</b>		1	
7740	R.H. Inner Pad Carrier Assembly (VBM.3009/A)		1	Fitted from Chassis No. 820004 to 820070 831712 to 832119 827236 to 827539 837836 to 838753 824669 to 825178 835886 to 836743
7741	R.H. Outer Pad Carrier Assembly (VBM.3471/A)		1	
6931	Operating Lever (VBO.2348)		1	
6927	Bolt, securing Pad Carriers to Operating Lever (VBO.2338)		1	
C.8667/2	Nut, Self-Locking, on Bolt (VBO.6065)		1	
6923	Pivot Seat for Operating Lever (VBO.2350)		1	
6926	Clevis Pin, securing Operating Lever to Pivot Seat (VBO.1027)		1	
L.102/4U	Split Pin, retaining Clevis Pin		1	
FW.104/T	Washer, Plain, behind Split Pin		1	
7742	<b>HANDBRAKE MECHANISM ASSEMBLY, L.H. (VBM.3105/B)</b>		1	
7743	L.H. Inner Pad Carrier Assembly (VBM.3009/B)		1	
7744	L.H. Outer Pad Carrier Assembly (VBM.3471/B)		1	
	<b>All other items as for Handbrake Assembly 7739</b>			
6925	Bolt, securing Handbrake Mechanism to Rear Calipers (VBO.662)		4	
6932	Tab Washer, locking Bolts (VBO.2270)		2	

# REAR BRAKES

FOR XK.150 MODELS ONLY

FITTED TO CHASSIS No. 820004 AND SUBS., 827236 AND SUBS., 824669 AND SUBS.,  
831712 AND SUBS., 837836 AND SUBS., 835886 AND SUBS.

Part No.	Description	Plate No.	No. per Unit	Remarks
C.16585	<b>HANDBRAKE MECHANISM ASSEMBLY, R.H. (VBM.3715/A)</b>	59-21	1	} Fitted to Chassis No. 820071 and subs. 832120 and subs. 827540 and subs. 838754 and subs. 825179 and subs. 836744 and subs.
8304	R.H. Inner Pad Carrier Assembly (VBM.3041/A)	59-22	1	
8306	R.H. Outer Pad Carrier Assembly (VBO.4349/A)	59-23	1	
6931	Operating Lever Assembly (VBO.2348)	59-24	1	
6927	Bolt, securing Pad Carriers to Operating Lever (VBO.2338)	59-25	1	
C.8667/2	Nut, Self-Locking, on Bolt (VBO.6056)	59-26	1	
6923	Pivot Seat, for Operating Lever (VBO.2350)	59-27	1	
6926	Clevis Pin, securing Operating Lever to Pivot Seat (VBO.1027)	59-28	1	
L.102/4U	Split Pin, retaining Clevis Pin	59-29	1	
FW.104/T	Washer, Plain, behind Split Pin	59-30	1	
C.16586	<b>HANDBRAKE MECHANISM ASSEMBLY, L.H. (VBM.3715/B)</b>		1	} Fitted to Chassis No. 820071 and subs. 832120 and subs. 827540 and subs. 838754 and subs. 825179 and subs. 836744 and subs.
8305	L.H. Inner Pad Carrier Assembly (VBM.3041/B)		1	
8307	L.H. Outer Pad Carrier Assembly (VBO.4349/B)		1	
	All other items are as for Handbrake Mechanism C.16585			
8016	Bolt, securing Handbrake Mechanism to Rear Calipers (VBO.4190)	59-31	4	
8017	Retraction Plate on Bolts (VBM.3764/1)	59-32	2	
8014	Tab Washer, locking Bolts (VBO.4226)	59-33	2	
8302	<b>REPAIR KIT FOR HANDBRAKE MECHANISM (JA.15)</b> (COMPRISING FRICTION PADS AND BIFURCATED RIVETS)		2	
7840	<b>PISTON RETRACTION TOOL</b>		1	<b>FOR USE WHEN RENEWING FRICTION PADS.</b>
C.12935	<b>REAR ADAPTOR PLATE, R.H.</b>		1	} Fitted from Chassis No. 820004 to 820070 831712 to 832119 827236 to 827539 837836 to 838753 824669 to 825178 835886 to 836743
C.12936	<b>REAR ADAPTOR PLATE, L.H.</b>		1	

# REAR BRAKES

FOR XK.150 MODELS ONLY

FITTED TO CHASSIS No. 820004 AND SUBS., 827236 AND SUBS., 824669 AND SUBS.,  
831712 AND SUBS., 837836 AND SUBS., 835886 AND SUBS.

Part No.	Description	Plate No.	No. per Unit	Remarks
C.16587	REAR ADAPTOR PLATE, R.H.	59-34	1	} Fitted to Chassis No. 820071 and subs. 832120 and subs. 827540 and subs. 838754 and subs. 825179 and subs. 836744 and subs.
C.16588	REAR ADAPTOR PLATE, L.H.		1	
C.12988	DISC FOR REAR CALIPER (VBM.680)	59-35	2	} NOT REQUIRED WHEN DISC ROAD WHEELS ARE FITTED.
C.13546	Bolt, securing Discs to Rear Hubs		10	
FG.107/X	Washer, Spring, on Bolts		10	
UFN.143/L	Nut, on Bolts		10	
C.12931	REAR HUB ASSEMBLY		2	} REQUIRED WHEN DISC ROAD WHEELS ARE FITTED.
C.13365	Stud, in Hubs, for fixing of Road Wheels		10	
C.12933	R.H. REAR HUB		1	} REQUIRED WHEN WIRE SPOKE WHEELS ARE FITTED.
C.12934	L.H. REAR HUB		1	

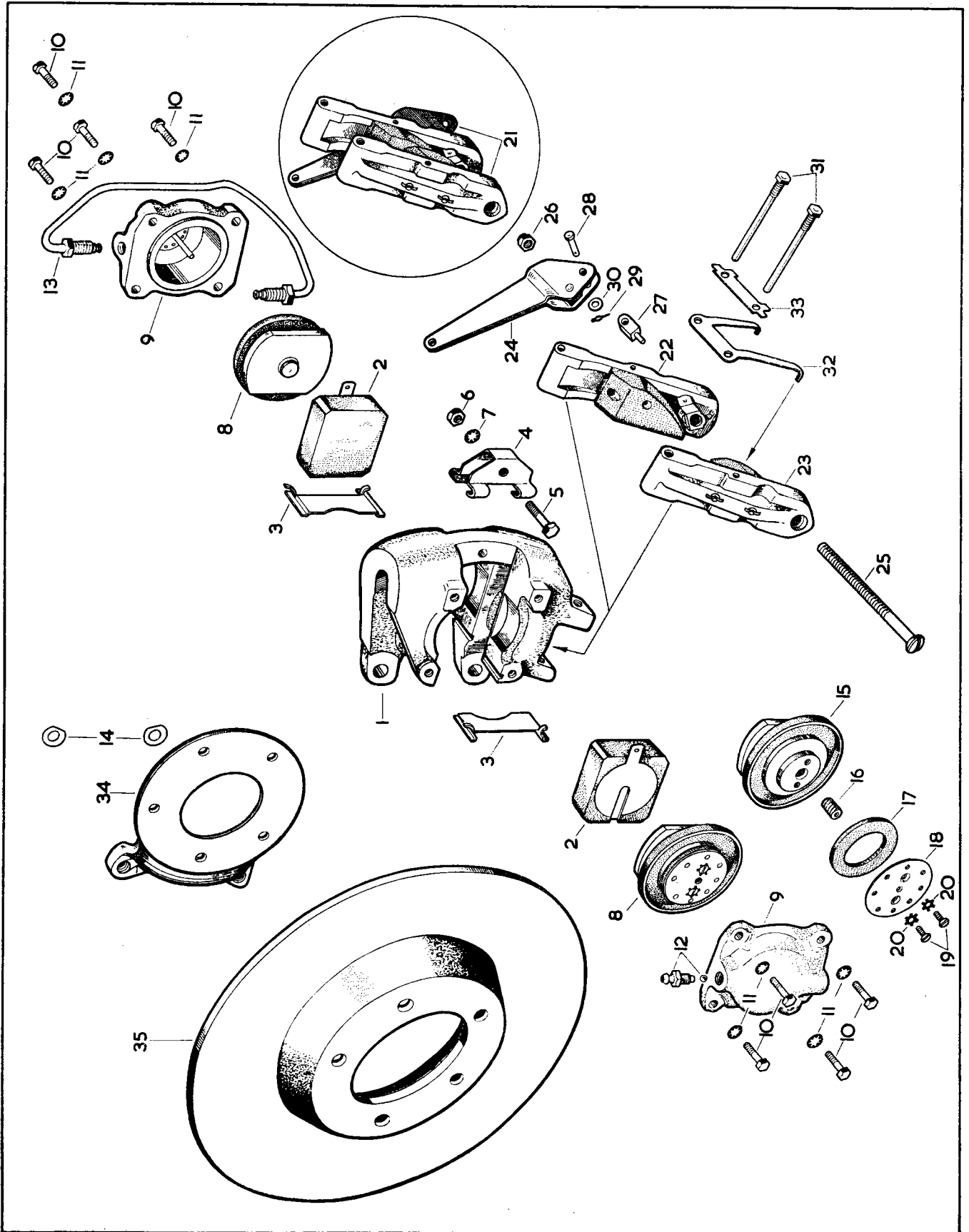


PLATE 59

# FRONT BRAKES

FOR XK.150 'S' MODELS ONLY

Part No.	Description	Plate No.	No. per Unit	Remarks
C.14337	<b>R.H. FRONT CALIPER ASSEMBLY (VB.1018/A)</b>		1	<b>FITTED ONLY TO L.H. DRIVE OPEN CARS</b> from Chassis No. 830336 to 831702
7715	Front Caliper only (VBM.1006)		1	
7716	Piston Assembly (VBO.5014)		2	
7717	Cylinder Assembly (VBO.5010)		2	
7937	Friction Pad Assembly (VBO.5138/N)		2	
7718	Support Plate (VBO.5133)		2	
7719	Keep Plate (VBO.5123)		1	
UFB.125/7R	Keep Plate Bolt		1	
UFN.125/L	Keep Plate Nut		1	
6911	Bleed Screw and Ball Assembly (VBO.5114)		1	
7721	Bridge Pipe Assembly (VBO.5111)		1	
7720	Cylinder Bolt (VBO.5100)		8	
C.724	Washer, Shakeproof (1214)		9	
C.14338	<b>L.H. FRONT CALIPER ASSEMBLY</b>		1	<b>FITTED ONLY TO L.H. DRIVE OPEN CARS</b> from Chassis No. 830336 to 831702
7723	Bridge Pipe Assembly (VBO.5110)		1	
	<b>All other items as for Caliper C.14337</b>			
C.13196	Shim (.005" thick) for adjustment of Front Calipers		As req'd	
C.13197	Shim (.020" thick) for adjustment of Front Calipers		As req'd	
C.13547	Bolt, securing Front Calipers to Adaptor Plates (75507)		4	
FG.108/X	Washer, Spring, on Bolts		4	
C.837	Lockwire for Caliper Bolts		As req'd	
7716	<b>PISTON ASSEMBLY IN FRONT CYLINDERS (VBO.5014)</b>		4	<b>FITTED ONLY TO L.H. DRIVE OPEN CARS</b> from Chassis No. 830336 to 831702
7724	Piston Sub-Assembly (VBO.5090)		4	
7726	Retractor Bush (VBO.5135)		4	
6916	Piston Seal (VBO.1122)		4	
7725	Plate, retaining Piston Seal (VBO.5051)		4	
AS.504/2H	Screw, securing Retaining Plate		8	
8303	Washer, Shakeproof, on Setscrews		8	
C.15648	<b>R.H. FRONT CALIPER ASSEMBLY (VB.1028A/N)</b>		1	} Fitted to Chassis No. 820005 and subs. 831703 and subs. 827334 and subs. 837993 and subs. 824789 and subs. 835961 and subs.
7715	Front Caliper only (VBM.1006)	60- 1	1	
7937	Friction Pad Assembly (VBO.5138/N)	60- 2	2	
7718	Support Plate for Friction Pads (VBO.5133)	60- 3	2	
7719	Retaining Plate, for Friction Pads (VBO.5123)	60- 4	1	
UFB.125/7R	Bolt, securing Retaining Plate	60- 5	1	
UFN.125/L	Nut, on Bolt	60- 6	1	
C.724	Washer, Shakeproof, under Nut	60- 7	1	
7841	Piston Assembly (VBO.5244)	60- 8	2	
7843	Cylinder Assembly (VBO.5224)	60- 9	2	
7720	Bolt, securing Cylinder to Calipers (VBO.5100)	60-10	8	
C.724	Washer, Shakeproof, on Bolts	60-11	8	
6911	Bleed Screw and Ball Assembly (VBO.5114)	60-12	1	
7783	Bridge Pipe Assembly (VBO.5203)	60-13	1	

# FRONT BRAKES

## FOR XK.150 'S' MODELS ONLY

Part No.	Description	Plate No.	No. per Unit	Remarks
C.15649	<b>L.H. FRONT CALIPER ASSEMBLY (VB.1028B/N)</b>		1	} Fitted to Chassis No. 820005 and subs. 831703 and subs. 827334 and subs. 837993 and subs. 824789 and subs. 835961 and subs.
7822	<b>Bridge Pipe Assembly (VBO.5204)</b>		1	
	<b>All other items as for R.H. Front Caliper C.15648</b>			
C.13196	<b>Shim (.005" thick) for adjustment of Front Calipers</b>	60-14	As req'd	
C.13197	<b>Shim (.020" thick) for adjustment of Front Calipers</b>	60-14	As req'd	
C.13547	<b>Bolt, securing Front Calipers to Adaptor Plates (75507)</b>		4	
FG.108/X	<b>Washer, Spring, on Bolts</b>		4	
C.837	<b>Lockwire, for Caliper Bolts</b>		As req'd	
7841	<b>PISTON ASSEMBLY IN FRONT CYLINDERS (VBO.5244)</b>	60- 8	4	} Fitted to Chassis No. 820005 and subs. 831703 and subs. 827334 and subs. 837993 and subs. 824789 and subs. 835961 and subs.
7844	<b>Piston Sub-Assembly (VBO.5034)</b>	60-15	4	
7726	<b>Retractor Bush (VBO.5135)</b>	60-16	4	
6916	<b>Piston Seal (VBO.1112)</b>	60-17	4	
7845	<b>Plate, retaining Piston Seal (VBO.5210)</b>	60-18	4	
AS.504/2D	<b>Screw, securing Retaining Plates (VBO.6004)</b>	60-19	8	
8303	<b>Washer, Shakeproof, on Screws</b>	60-20	8	
7844	<b>PISTON SUB-ASSEMBLY FOR FRONT CYLINDERS (VBO.5034)</b>	60-15	4	} Fitted to Chassis No. 820005 and subs. 831703 and subs. 827334 and subs. 837993 and subs. 824789 and subs. 835961 and subs.
7225	<b>Dust Seal on Pistons (VBO.485)</b>		4	
7727	<b>REPAIR KIT FOR FRONT WHEEL CYLINDERS (JA.10)</b> <b>(COMPRISING PISTON SEAL AND DUST SEAL)</b>		4	
7840	<b>PISTON RETRACTION TOOL</b>		1	<b>FOR USE WHEN RENEWING FRICTION PADS.</b>
C.12930	<b>ADAPTOR PLATE FOR FRONT CALIPERS</b>	60-21	2	



# FRONT BRAKES

FOR XK.150 'S' MODELS ONLY

Part No.	Description	Plate No.	No. per Unit	Remarks
C.12988	<b>DISC FOR FRONT CALIPERS (VBM.680)</b>	60-22	2	
C.13546	<b>Bolt</b> , securing Discs to Front Hubs (75510)		10	<b>NOT REQUIRED WHEN DISC ROAD WHEELS ARE FITTED.</b>
FG.107/X	<b>Washer</b> , Spring, on Bolts		10	
UFN.143/L	<b>Nut</b> , on Bolts		10	
C.12926	<b>FRONT HUB ASSEMBLY</b>		2	<b>REQUIRED WHEN DISC WHEELS ARE FITTED.</b>
C.13365	<b>Stud</b> , in Hubs, for fixing of Road Wheels		10	
C.3044/1	<b>Grease Nipple</b> (Tec.NA.6656)		2	
C.12928	<b>R.H. FRONT HUB</b>		1	} <b>REQUIRED WHEN WIRE SPOKE WHEELS ARE FITTED.</b>
C.12929	<b>L.H. FRONT HUB</b>		1	

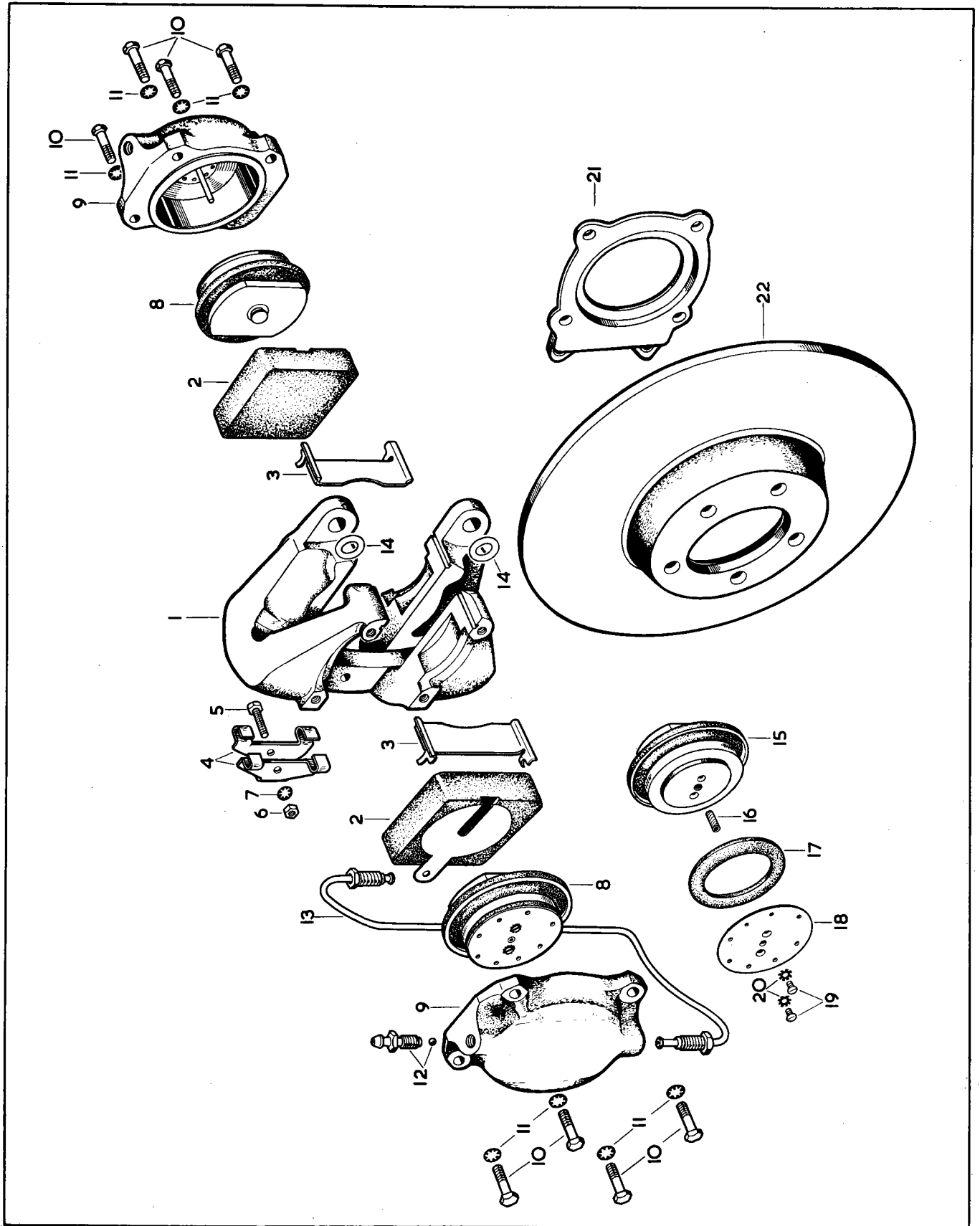


PLATE 60

# REAR BRAKES

## FOR XK.150 'S' MODELS ONLY

Part No.	Description	Plate No.	No. per Unit	Remarks
7730	<b>R.H. REAR CALIPER ASSEMBLY (VB.1007/A)</b>		1	<b>FITTED ONLY TO L.H. DRIVE OPEN CARS</b> from Chassis No. 830336 to 831702
7731	Rear Caliper only (VBM.1011)		1	
7732	Piston Assembly (VBO.5013)		2	
7733	Cylinder Assembly (VBO.5016)		2	
7937	Friction Pad (VBO.5138/N)		2	
7718	Support Plate (VBO.5133)		2	
7719	Keep Plate (VBO.5123)		1	
UFB.125/7R	Keep Plate Bolt		1	
UFN.125/L	Keep Plate Nut		1	
6911	Bleed Screw and Ball Assembly (VBO.5114)		1	
7723	Bridge Pipe Assembly (VBO.5110)		1	
7720	Cylinder Bolt (VBO.5100)		8	
C.724	Washer, Shakeproof (1214)		9	
7734	<b>L.H. REAR CALIPER ASSEMBLY (VB.1007/B)</b>		1	<b>FITTED ONLY TO L.H. DRIVE OPEN CARS</b> from Chassis No. 830336 to 831702
7735	Rear Caliper only (VBM.1013)		1	
7721	Bridge Pipe Assembly (VBO.5111)		1	
	<b>All other items as for Caliper 7730</b>			
7732	<b>PISTON ASSEMBLY IN REAR CYLINDERS (VBO.5013)</b>		4	<b>FITTED ONLY TO L.H. DRIVE OPEN CARS</b> from Chassis No. 830336 to 831702
7736	Piston Sub-Assembly (VBO.5092)		4	
7726	Retractor Bush (VBO.5135)		4	
7737	Piston Seal (VBO.5061)		4	
7738	Plate, retaining Piston Seal (VBO.5047)		4	
AS.504/2H	Screw, securing Retaining Plate		8	
8303	Washer, Shakeproof, on Screws		8	
7739	<b>HANDBRAKE MECHANISM ASSEMBLY, R.H. (VBM.3105/A)</b>		1	<b>FITTED ONLY TO L.H. DRIVE OPEN CARS</b> from Chassis No. 830336 to 831702
7740	Pad Carrier Assembly, R.H. Inner (VBM.3009/A)		1	
7741	Pad Carrier Assembly, R.H. Outer (VBM.3471/A)		1	
6931	Operating Lever (VBO.2348)		1	
6927	Bolt, securing Pad Carriers to Operating Lever (VBO.2338)		1	
C.8667/2	Nut, Self-Locking, on Bolt		1	
6923	Pivot Seat, for Operating Lever (VBO.2350)		1	
6926	Clevis Pin, securing Operating Lever to Pivot Seat (VBO.1027)		1	
L.102/4U	Split Pin, retaining Clevis Pin		1	
7742	<b>HANDBRAKE MECHANISM ASSEMBLY, L.H. (VBM.3105/B)</b>		1	
7743	Pad Carrier Assembly, L.H. Inner (VBM.3009/B)		1	
7744	Pad Carrier Assembly, L.H. Outer (VBM.3471/B)		1	
	<b>All other items as for Handbrake Mechanism 7739</b>			
6925	Bolt, securing Handbrake Mechanism to Calipers (VBO.662)		4	
6932	Tab Washer, locking bolts (VBO.2270)		2	

# REAR BRAKES

## FOR XK.150 'S' MODELS ONLY

Part No.	Description	Plate No.	No. per Unit	Remarks	
C.14876	<b>R.H. REAR CALIPER ASSEMBLY (VB.1038/A)</b>		1	} Fitted from Chassis No. 820005 to 820070 831703 to 832119 827334 to 827539 837993 to 838753 824789 to 825178 835961 to 836743	
7731	Rear Caliper only (VBM.1011)		1		
7937	Friction Pad (VBO.5138/N)		2		
7718	Support Plate for Friction Pads (VBO.5133)		2		
7719	Retaining Plate for Friction Pads (VBO.5123)		1		
UFB.125/7R	Bolt, securing Retaining Plate		1		
UFN.125/L	Nut, on Bolt		1		
C.724	Washer, Shakeproof, under Nut		1		
7846	Piston Assembly (VBO.5245)		2		
7847	Cylinder Assembly (VBO.5225)		2		
7720	Bolt, securing Cylinders (VBO.5100)		8		
C.724	Washer, Shakeproof, on Bolts		8		
6911	Bleed Screw and Ball Assembly (VBO.5114)		1		
7819	Bridge Pipe Assembly		1		
C.14877	<b>L.H. REAR CALIPER ASSEMBLY (VB.1038/B)</b>		1		}
7735	Rear Caliper only (VBM.1013)		1		
7818	Bridge Pipe Assembly (VBO.3597)		1		
<b>All other items as for Caliper Assembly C.14876</b>					
C.16503	<b>R.H. REAR CALIPER ASSEMBLY (VBO.1092A/N)</b>		1	} Fitted to Chassis No. 820071 and subs. 832120 and subs. 827540 and subs. 838754 and subs. 825179 and subs. 836744 and subs.	
8009	Rear Caliper only (VBM.1080)	61- 1	1		
7937	Friction Pad (VBO.5138/N)	61- 2	2		
7718	Support Plate for Friction Pads (VBO.5133)	61- 3	2		
7719	Retaining Plate for Friction Pads (VBO.5123)	61- 4	1		
UFB.125/7R	Bolt, securing Retaining Plate	61- 5	1		
UFN.125/L	Nut, on Bolt	61- 6	1		
C.724	Washer, Shakeproof, under Nut	61- 7	1		
7846	Piston Assembly (VBO.5245)	61- 8	2		
7847	Cylinder Assembly (VBO.5225)	61- 9	2		
7720	Bolt, securing Cylinders (VBO.5100)	61-10	8		
C.724	Washer, Shakeproof, on Bolts	61-11	8		
6911	Bleed Screw and Ball Assembly (VBO.5114)	61-12	1		
7819	Bridge Pipe Assembly	61-13	1		
C.16504	<b>L.H. REAR CALIPER ASSEMBLY (VBO.1092B/N)</b>		1	}	
8010	Rear Caliper only (VBM.1081)		1		
7818	Bridge Pipe Assembly (VBO.3597)		1		
<b>All other items as for Caliper Assembly C.16503</b>					
C.13198	Shim (.005" thick) for adjustment of Rear Calipers (VBO.1333)	61-14	As req'd	} Fitted from Chassis No. 820005 to 820070 830336 to 832119 827334 to 827539 837993 to 838753 824789 to 825178 835961 to 836743	
C.13199	Shim (.020" thick) for adjustment of Rear Calipers (VBO.1334)	61-14	As req'd		
C.13994	Shim (.040" thick) for adjustment of Rear Calipers (VBO.1334)	61-14	As req'd		
C.14383	Bolt, securing Calipers to Rear Adaptor Plates		4		
FG.107/X	Washer, Spring, on Bolts		4		
C.837	Lockwire, for Caliper Bolts		As req'd		
C.16262	Bolt, securing Calipers to Rear Adaptor Plates		4		
C.837	Lockwire, for Bolts		As req'd		
<b>All other items as for Caliper Assembly C.16262</b>					
<b>All other items as for Caliper Assembly C.16262</b>					

# REAR BRAKES

FOR XK.150 'S' MODELS ONLY

Part No.	Description	Plate No.	No. per Unit	Remarks
7846	<b>PISTON ASSEMBLY IN REAR CYLINDERS (VBO.5245)</b>	61- 8	4	Fitted to Chassis No. 820005 and subs. 831703 and subs. 827334 and subs. 837993 and subs. 824789 and subs. 835961 and subs.
7848	Piston Sub-Assembly (VBO.5235)	61-15	4	
7726	Retractor Bush (VBO.5135)	61-16	4	
7737	Piston Seal (VBO.5061)	61-17	4	
7849	Plate, retaining Piston Seal (VBO.5054)	61-18	4	
AS.504/2D	Screw, securing Retaining Plates	61-19	8	
8303	Washer, Shakeproof, on Screws (VBO.6100)	61-20	8	
7848	<b>PISTON SUB-ASSEMBLY FOR REAR CYLINDERS (VBO.5235)</b>	61-15	4	
7216	Dust Seal (VBO.484)		4	
7728	<b>REPAIR KIT FOR REAR WHEEL CYLINDERS (JA.11)</b> (COMPRISING PISTON SEAL AND DUST SEAL)		4	
7840	<b>PISTON RETRACTION TOOL</b>		1	<b>FOR USE WHEN RENEWING FRICTION PADS.</b>
7739	<b>HANDBRAKE MECHANISM ASSEMBLY, R.H. (VBM.3105/A)</b>		1	Fitted from Chassis No. 820005 to 820070 831703 to 832119 827334 to 827539 837993 to 838753 824789 to 825178 835961 to 836743
7740	R.H. Inner Pad Carrier Assembly (VBM.3009/A)		1	
7741	R.H. Outer Pad Carrier Assembly (VBM.3471/A)		1	
6931	Operating Lever (VBO.2348)		1	
6927	Bolt, securing Pad Carriers to Operating Lever (VBO.2338)		1	
C.8667/2	Nut, Self-Locking, on Bolt (VBO.6065)		1	
6923	Pivot Seat for Operating Lever (VBO.2350)		1	
6926	Clevis Pin, securing Operating Lever to Pivot Seat (VBO.1027)		1	
L.102/4U	Split Pin, retaining Clevis Pin		1	
7742	<b>HANDBRAKE MECHANISM ASSEMBLY, L.H. (VBM.3105/B)</b>		1	
7743	L.H. Inner Pad Carrier Assembly (VBM.3009/B)		1	
7744	L.H. Outer Pad Carrier Assembly (VBM.3471/B)		1	
	<b>All other items as for Handbrake Assembly 7739</b>			
6925	Bolt, securing Handbrake Mechanism to Rear Calipers (VBO.662)		4	
6932	Tab Washer, locking Bolts (VBO.2270)		2	

# REAR BRAKES

## FOR XK.150 'S' MODELS ONLY

Part No.	Description	Plate No.	No. per Unit	Remarks
C.16585	<b>HANDBRAKE MECHANISM ASSEMBLY, R.H. (VBM.3715/A)</b>	61-21	1	} Fitted to Chassis No. 820071 and subs. 832120 and subs. 827540 and subs. 838754 and subs. 825179 and subs. 836744 and subs.
8304	R.H. Inner Pad Carrier Assembly (VBM.3041/A)	61-22	1	
8306	R.H. Outer Pad Carrier Assembly (VBO.4349/A)	61-23	1	
6931	Operating Lever Assembly (VBO.2348)	61-24	1	
6927	Bolt, securing Pad Carriers to Operating Lever (VBO.2338)	61-25	1	
C.8667/2	Nut, Self-Locking, on Bolt (VBO.6056)	61-26	1	
6923	Pivot Seat, for Operating Lever (VBO.2350)	61-27	1	
6926	Clevis Pin, securing Operating Lever to Pivot Seat (VBO.1027)	61-28	1	
L.102/4U	Split Pin, retaining Clevis Pin	61-29	1	
FW.104/T	Washer, Plain, behind Split Pin	61-30	1	
C.16586	<b>HANDBRAKE MECHANISM ASSEMBLY, L.H. (VBM.3715/B)</b>		1	} Fitted to Chassis No. 820071 and subs. 832120 and subs. 827540 and subs. 838754 and subs. 825179 and subs. 836744 and subs.
8305	L.H. Inner Pad Carrier Assembly (VBM.3041/B)		1	
8307	L.H. Outer Pad Carrier Assembly (VBO.4349/B)		1	
	All other items as for Handbrake Mechanism C.16585			
8016	Bolt, securing Handbrake Mechanism to Rear Calipers (VBO.4190)	61-31	4	
8017	Retraction Plate on Bolts (VBM.3764/1)	61-32	2	
8014	Tab Washer, locking Bolts (VBO.4226)	61-33	2	
8302	<b>REPAIR KIT FOR HANDBRAKE MECHANISM (JA.15)</b> (COMPRISING FRICTION PADS AND BIFURCATED RIVETS)		2	
C.12935	<b>REAR ADAPTOR PLATE, R.H.</b>		1	} Fitted from Chassis No. 820005 to 820070 830336 to 832119 827334 to 827539 837993 to 838753 824789 to 825178 835961 to 836743
C.12936	<b>REAR ADAPTOR PLATE, L.H.</b>		1	
C.16587	<b>REAR ADAPTOR PLATE, R.H.</b>	61-34	1	} Fitted to Chassis No. 820071 and subs. 832120 and subs. 827540 and subs. 838754 and subs. 825179 and subs. 836744 and subs.
C.16588	<b>REAR ADAPTOR PLATE, L.H.</b>		1	

# REAR BRAKES

FOR XK.150 'S' MODELS ONLY

Part No.	Description	Plate No.	No. per Unit	Remarks
C.12988	<b>DISC FOR REAR CALIPER (VBM.680)</b>	61-35	2	
C.13546	<b>Bolt</b> , securing Discs to Rear Hubs		10	<b>NOT REQUIRED WHEN DISC ROAD WHEELS ARE FITTED.</b>
FG.107/X	<b>Washer</b> , Spring, on Bolts		10	
UFN.143/L	<b>Nut</b> , on Bolts		10	
C.12931	<b>REAR HUB ASSEMBLY</b>		2	} <b>REQUIRED WHEN DISC ROAD WHEELS ARE FITTED.</b>
C.13365	<b>Stud</b> , in Hubs, for fixing of Road Wheels		10	
C.12933	<b>R.H. REAR HUB</b>		1	} <b>REQUIRED WHEN WIRE SPOKE WHEELS ARE FITTED.</b>
C.12934	<b>L.H. REAR HUB</b>		1	

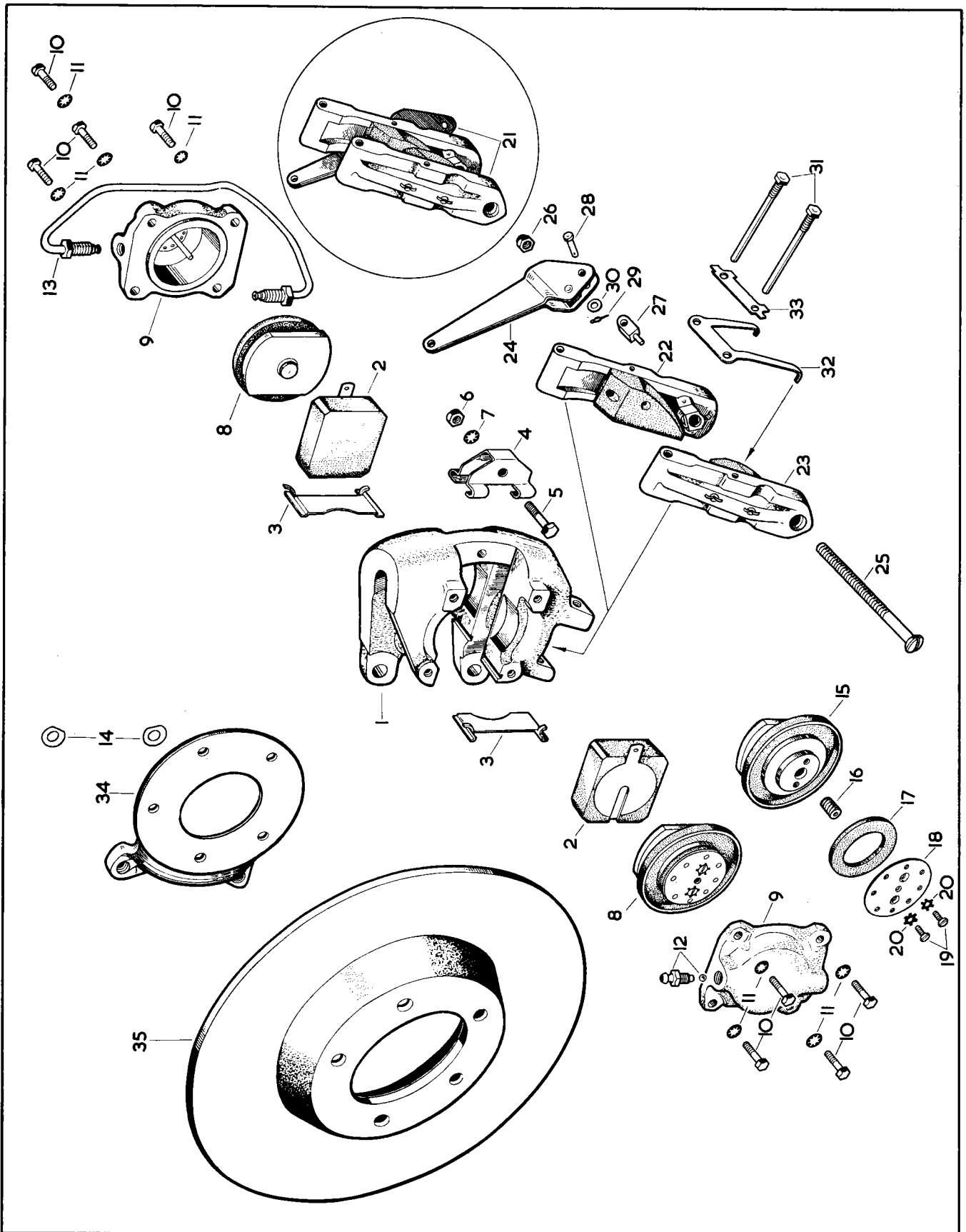


PLATE 61



# 6 <sup>7</sup>/<sub>8</sub> " BRAKE VACUUM SERVO

Part No.	Description	Plate No.	No. per Unit	Remarks
C.12937	<b>6 <sup>7</sup>/<sub>8</sub> " BRAKE VACUUM SERVO ASSEMBLY (91504)</b>		1	
AS.302/4H	Screw, securing Cover to Valve Housing (K.14303/RP)	62- 1	8	
7139	Cover and Valve Assembly (88803)	62- 2	1	
7163	Return Spring, for Diaphragm (89832)	62- 3	1	
7160	Gasket, between Cover and Diaphragm (88718)	62- 4	1	
7138	Diaphragm (88709)	62- 5	1	
7160	Gasket, between Diaphragm and Valve Housing (88718)	62- 6	1	
7167	Balance Spring under Diaphragm (88734)	62- 7	1	
UFS.125/4R	Screw, Set, securing Valve Housing to Slave Cylinder Body (K.23502/RP)	62- 8	4	
C.739	Washer, Shakeproof, on Setscrews (K.19405)	62- 9	4	
7169	Valve Housing (88805)	62-10	1	
C.738	Washer, Shakeproof, under Nuts	62-11	8	
AN.102/L	Nut, on Screws securing Valve Cover (K.18604/RP)	62-12	8	
7168	Gasket, between Valve Housing and Slave Cylinder Body (88801)	62-13	1	
7161	Valve Piston (88719)	62-14	1	
6364	Seal, for Valve Piston (81747)	62-15	1	
6383	Gasket, between Slave Cylinder Body and Main Cylinder (32737)	62-16	1	
UFS.125/4R	Bolt (Short) securing Cover to Main Cylinder (K.23502/RP)	62-17	3	
UFS.125/9R	Bolt (Long) securing Cover to Main Cylinder and for mounting of Servo Unit (K.23508/RP)	62-18	3	
7754	Tab Washer, locking long Bolts (99361)	62-18A	3	
UFN.125/L	Nut, on Bolts	62-19	6	
C.739	Washer, Shakeproof, under Nuts	62-20	6	
7159	Hose, connecting Main Cylinder to Valve Cover (88199)	62-21	1	
7170	Return Spring for Main Cylinder Piston (88806)	62-22	1	
7145	Push Rod, operating Main Cylinder Piston (86753)	62-23	1	
7691	Adjusting Nut on Push Rod (88023)	62-24	1	
7273	Locating Washer, for Adjusting Nut (88022)	62-25	1	
7692	Outer Piston Plate, in Main Cylinder (88731)	62-26	1	
7142	'O' Ring, between Piston Plates, on Adjuster Nut (25844)	62-27	1	
7144	Leather Cup for Main Cylinder Piston (82141)	62-28	1	} MAY BE OBTAINED AS A COMPLETE ASSEMBLY TO PART No. 7146 (88799)
7693	Inner Piston Plate in Main Cylinder (88732)	62-29	1	
7143	Piston Ring in Main Cylinder (82138)	62-30	1	
7141	Wick, around Piston Ring (25835/21.25)	62-31	1	
7694	End Stop, for Main Cylinder Piston (88733)	62-32	1	
FW.108/T	Washer, Plain, under Shakeproof Washer (K.20809)	62-33	1	
C.743	Washer, Shakeproof, under Nut	62-34	1	
UFN.150/L	Nut, securing Main Piston Assembly	62-35	1	
2538	Copper Gasket, under Nut (KL.44509)	62-36	1	
UFN.125/L	Nut on Push Rod (K.24101)	62-37	1	
7140	Cover and Pipe for Main Cylinder (88798)	62-38	1	
7158	Gasket, between Cover and Main Cylinder (87842)	62-39	1	
UFS.131/6R	Screw, Set, securing Abutment Plate inside Main Cylinder (K.23603)	62-40	4	
6386	Plate, locking Setscrews (82454)	62-41	2	
6385	Abutment Plate, inside Main Cylinder (32739)	62-42	1	
7137	Main Vacuum Cylinder (88807)	62-43	1	
6382	Spigot, for Slave Cylinder Piston (32736)	62-44	1	
7164	Spring (Short) between Seal at rear of Distance Piece (92954)	62-45	1	
6402	Seal between Spring and Spigot (85946)	62-46	1	
7896	Spreader for Seal (90860)	62-47	1	
6444	Circlip, locating Short Spring (86158)	62-48	1	
7171	Washer, behind Distance Piece (96462)	62-49	1	
7165	Distance Piece, between Piston and Washer (97266)	62-50	1	
6380	Piston for Slave Cylinder (82601)	62-51	1	
6379	Seal, between Piston and Spring Guide (92328)	62-52	1	
7157	Guide for Main Spring in Slave Cylinder (85573)	62-53	1	
7156	Main Spring in Slave Cylinder (91861)	62-54	1	
C.11356	Copper Gasket, sealing Adaptor in end of Slave Cylinder (KL.44526)	62-55	1	
7166	Adaptor in end of Slave Cylinder (88728)	62-56	1	
7155	Slave Cylinder Body (88764)	62-57	1	

# 6 <sup>7</sup>/<sub>8</sub>" BRAKE VACUUM SERVO

Part No.	Description	Plate No.	No. per Unit	Remarks
8055	REPAIR KIT FOR SLAVE CYLINDER ON BRAKE VACUUM SERVO (KL.72548)		1	
7148	REPAIR KIT FOR MAIN CYLINDER PISTON (KL.72527)		1	
7149	REPAIR KIT FOR AIR CONTROL VALVE (KL.72528)		1	
C.13170	HOSE FOR CONNECTION OF VACUUM PIPE TO SERVO UNIT		1	} Fitted from Chassis No. 830001 to 831139 827001 to 827193 837001 to 837627 824001 to 824584 834001 to 835718
C.2905/2	Clip, securing Hose		2	
C.13704	HOSE FOR CONNECTION OF VACUUM PIPE TO SERVO UNIT		1	} Fitted from Chassis No. 820001 to 820016 831140 to 831898 827194 to 827271 837628 to 837940 824585 to 824741 835719 to 835934
C.2905/2	Clip, securing Hose		2	
C.12802	BANJO, ON SERVO UNIT, RECEIVING HOSE (89169)		1	} Fitted from Chassis No. 820001 to 820016 830001 to 831898 827001 to 827271 837001 to 837940 824001 to 824741 834001 to 835934
C.11356	Copper Gasket, at each side of Banjo (KL.44526)		2	
C.11421	Bolt, securing Banjo (30352)		1	

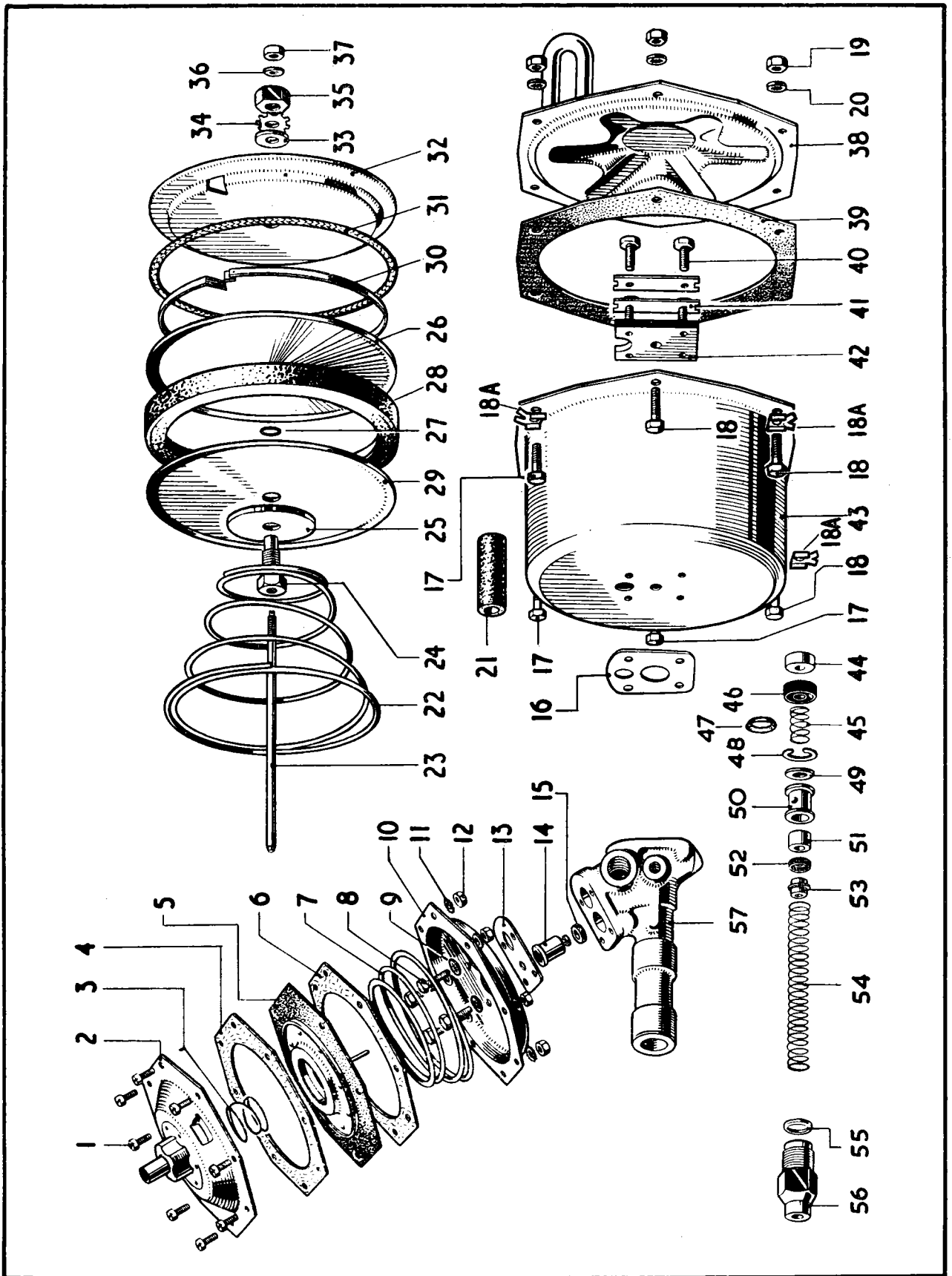


PLATE 62

# RESERVAC TANK FOR BRAKE SERVO

FITTED TO CHASSIS No. 820017 AND SUBS., 827272 AND SUBS., 824742 AND SUBS.,  
831899 AND SUBS., 837941 AND SUBS., 835935 AND SUBS.

Part No.	Description	Plate No.	No. per Unit	Remarks
C.14681	<b>RESERVAC TANK FOR BRAKE SERVO</b>	63- 1	1	
C.14486	<b>STONE GUARD FOR RESERVAC TANK</b>	63- 2	1	
UFS.119/4R	<b>Screw, Set, securing Stoneguard and Reservac Tank to Mudshield</b>		3	
UFN.119/L	<b>Nut, on Setscrews</b>		3	
C.723/A	<b>Washer, Shakeproof, under Nuts</b>		3	
C.14693	<b>CHECK VALVE ASSEMBLY ON RESERVAC TANK</b>	63- 3	1	
C.14741	<b>HOSE FROM CHECK VALVE TO BRAKE SERVO</b>	63- 4	1	
C.2905/1	<b>Clip, securing Hose to Check Valve and Banjo on Brake Servo</b>	63- 5	2	
C.14717	<b>Banjo, for connection of Hose to Brake Servo</b>	63- 6	1	
C.11356	<b>Copper Gasket, at each side of Banjo (KL.44526)</b>		2	
C.11421	<b>Bolt, securing Banjo (30352)</b>		1	
C.14716	<b>HOSE FROM CHECK VALVE TO VACUUM PIPE</b>	63- 7	1	
C.2905/1	<b>Clip, securing Hose to Check Valve and Vacuum Pipe</b>	63- 8	2	

# RESERVAC TANK FOR BRAKE SERVO

FITTED TO CHASSIS No. 820017 AND SUBS., 827272 AND SUBS., 824742 AND SUBS.,  
831899 AND SUBS., 837941 AND SUBS., 835935 AND SUBS.

Part No.	Description	Plate No.	No. per Unit	Remarks
C.14742	<b>VACUUM PIPE ON DASH</b>	63- 9	1	} REQUIRED ONLY FOR CARS FITTED WITH TWIN CAR- BURETTERS.
C.1040/9	Clip, securing Vacuum Pipe to Dash	63-10	2	
UFS.119/4R	Screw, Set, securing Clips		2	
C.723/A	Washer, Shakeproof, on Setscrews		2	
AW.102/T	Washer, Plain, under Shakeproof Washers		2	
C.14692	<b>ELBOW HOSE FOR CONNECTION OF VACUUM PIPE TO INLET MANIFOLD</b>	63-11	1	} REQUIRED ONLY FOR CARS FITTED WITH TRIPLE CAR- BURETTERS.
C.2905/1	Clip, securing Elbow Hose	63-12	2	
C.14715	<b>ADAPTOR ASSEMBLY, AT REAR OF INLET MANIFOLD FOR CONNec- TION OF VACUUM PIPE</b>	63-13	1	
C.14743	<b>VACUUM PIPE ON DASH</b>	63-14	1	} REQUIRED ONLY FOR CARS FITTED WITH TRIPLE CAR- BURETTERS.
C.1040/9	Clip, securing Vacuum Pipe to Dash	63-15	2	
UFS.119/4R	Screw, Set, securing Clips		2	
C.723/A	Washer, Shakeproof, on Setscrews		2	
AW.102/T	Washer, Plain, under Shakeproof Washers		2	
C.14692	<b>ELBOW HOSE FOR CONNECTION OF VACUUM PIPE TO AIR BALANCE PIPE</b>	63-16	1	} REQUIRED ONLY FOR CARS FITTED WITH TRIPLE CAR- BURETTERS.
C.2905/1	Clip, securing Elbow Hose	63-17	2	
C.14746	<b>ADAPTOR, AT REAR OF AIR BAL- ANCE PIPE, RECEIVING ELBOW HOSE</b>	63-18	1	} REQUIRED ONLY FOR CARS FITTED WITH TRIPLE CAR- BURETTERS.
C.14089	Gasket, under Adaptor	63-19	1	
NN.125/L	Nut, securing Adaptor		2	
FG.105/X	Washer, Spring, under Nuts		2	

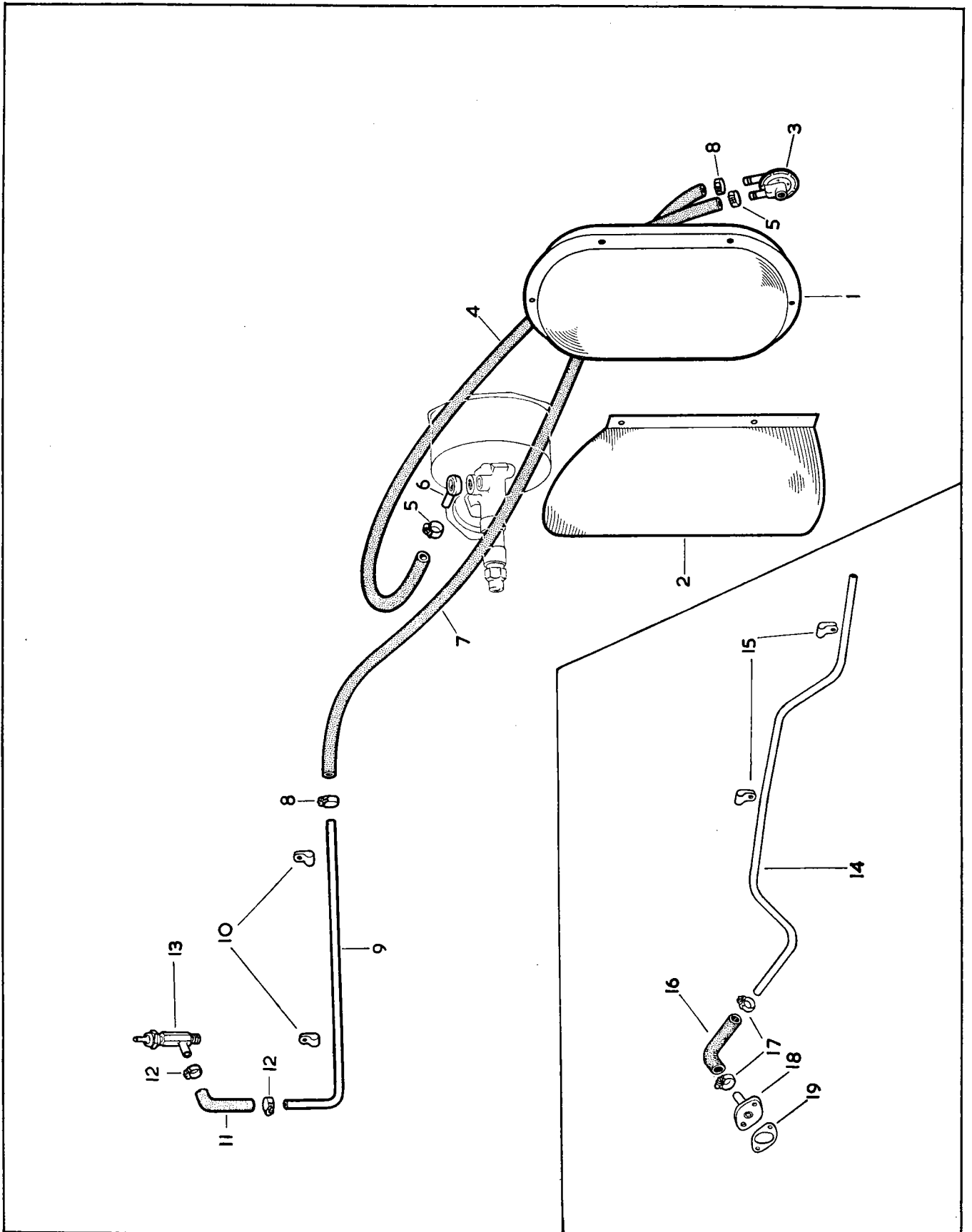


PLATE 63

# BRAKE CONTROLS

Part No.	Description	Plate No.	No. per Unit	Remarks
C.12971	<b>BRAKE PEDAL (R.H. DRIVE ONLY)</b>	64- 1	1	
C.12955	<b>BRAKE PEDAL (L.H. DRIVE ONLY)</b>		1	
C.3223	Roller Bearing, inside Brake Pedal Boss	64- 2	1	
C.3224	Sleeve for Roller Bearing	64- 3	1	
C.13877	Grease Nipple, for Pedal Boss (Tec.NA.6626)	64- 4	1	
C.3317	Return Spring, for Brake Pedal	64- 5	1	
C.12956	<b>STEM AND PLATE ASSEMBLY FOR BRAKE PEDAL (R.H. DRIVE ONLY)</b>	64- 6	1	FOR USE WHEN STANDARD OR OVERDRIVE TRANSMISSION IS FITTED.
C.12957	<b>STEM AND PLATE ASSEMBLY FOR BRAKE PEDAL (L.H. DRIVE ONLY)</b>		1	
UFB.131/10R	Bolt, securing Stem and Plate to Pedal		1	
UFN.131/L	Nut, on Bolt		1	
C.740	Washer, Shakeproof, under Nut		1	
C.9934	<b>RUBBER PAD ON BRAKE PEDAL</b>	64- 7	1	
C.12970	<b>BRAKE PEDAL (R.H. DRIVE ONLY)</b>		1	
C.12955	<b>BRAKE PEDAL (L.H. DRIVE ONLY)</b>		1	
C.3223	Roller Bearing, inside Brake Pedal Boss		1	
C.3224	Sleeve for Roller Bearing		1	
C.13877	Grease Nipple, for Pedal Boss (Tec.NA.6626)		1	
C.3317	Return Spring, for Brake Pedal		1	
C.12960	<b>STEM AND PLATE ASSEMBLY FOR BRAKE PEDAL (R.H. DRIVE ONLY)</b>		1	REQUIRED WHEN AUTOMATIC TRANSMISSION IS FITTED.
C.12961	<b>STEM AND PLATE ASSEMBLY FOR BRAKE PEDAL (L.H. DRIVE ONLY)</b>		1	
UFB.131/10R	Bolt, securing Stem and Plate to Brake Pedal		1	
UFN.131/L	Nut, on Bolt		1	
C.740	Washer, Shakeproof, under Nut		1	
C.6876	<b>RUBBER PAD ON BRAKE PEDAL</b>		1	

# BRAKE CONTROLS

Part No.	Description	Plate No.	No. per Unit	Remarks
C.12967	<b>SHAFT FOR BRAKE PEDAL</b>	64- 8	1	
C.12969	<b>Spacer, between Brake and Clutch Pedals</b>	64- 9	1	
C.13061	<b>Lockwasher, securing Shaft to Tie Plate</b>	64-10	1	
UFS.131/12R	<b>Stopscrew, for Brake Pedal</b>	64-11	1	
UFN.231/L	<b>Nut, locking Stopscrew</b>	64-12	1	
C.8299	<b>FELT SEAL ON BRAKE PEDAL STEM</b>	64-13	1	
C.8301	<b>Circlip, retaining Felt Seal</b>	64-14	1	
C.12972	<b>TIE PLATE BETWEEN BRAKE PEDAL SHAFT AND MASTER CYLINDER BRACKET</b>	64-15	1	<b>R.H. DRIVE CARS ONLY</b>
C.13267	<b>TIE PLATE BETWEEN BRAKE PEDAL SHAFT AND MASTER CYLINDER BRACKET</b>		1	<b>L.H. DRIVE CARS ONLY</b> Fitted from Chassis No. 837001 to 837013 834001 to 834453
C.12973	<b>TIE PLATE BETWEEN BRAKE PEDAL SHAFT AND MASTER CYLINDER BRACKET</b>		1	<b>L.H. DRIVE CARS ONLY</b> Fitted to Chassis No. 830001 and subs. 837014 and subs. 834454 and subs.
UFS.131/5R	<b>Screw, Set, securing Tie Plate to Master Cylinder Bracket</b>		2	
UFN.131/L	<b>Nut, on Setscrews</b>		2	
C.740	<b>Washer, Shakeproof, under Nuts</b>		2	
C.16470	<b>BRAKE MASTER CYLINDER ASSEMBLY</b> For individual items, see "Hydraulic Brake Pipes"	64-16	1	
C.12968	<b>FORK END BETWEEN BRAKE PEDAL AND MASTER CYLINDER PUSH ROD</b>	64-17	1	
J.106/17S	<b>Clevis Pin, securing Fork End to Brake Pedal</b>	64-18	1	
L.103/7U	<b>Split Pin, retaining Clevis Pin</b>		1	
FW.106/T	<b>Washer, Plain, under Split Pin</b>		1	



# BRAKE CONTROLS

Part No.	Description	Plate No.	No. per Unit	Remarks
C.10353	<b>HANDBRAKE LEVER ASSEMBLY</b>		1	<b>REQUIRED WHEN STANDARD OR OVERDRIVE TRANSMISSION IS FITTED TO R.H. DRIVE CARS</b> from Chassis No. 820001 to 820070 827001 to 827539 824001 to 825178
C.10354	<b>HANDBRAKE LEVER ASSEMBLY</b>		1	<b>REQUIRED WHEN STANDARD OR OVERDRIVE TRANSMISSION IS FITTED TO L.H. DRIVE CARS</b> from Chassis No. 830001 to 832119 837001 to 838753 834001 to 836743
C.13601	<b>HANDBRAKE LEVER ASSEMBLY</b>		1	<b>REQUIRED WHEN AUTOMATIC TRANSMISSION IS FITTED TO R.H. DRIVE CARS</b> from Chassis No. 820001 to 820070 827001 to 827539 824001 to 825178
C.13600	<b>HANDBRAKE LEVER ASSEMBLY</b>		1	<b>REQUIRED WHEN AUTOMATIC TRANSMISSION IS FITTED TO L.H. DRIVE CARS</b> from Chassis No. 830001 to 832119 837001 to 838753 834001 to 836743
NS.137/5D	<b>Screw, Set, securing Handbrake Lever to Bracket on Propeller Shaft Tunnel</b>		3	
C.726	<b>Washer, Shakeproof, on Setscrews</b>		3	
C.8316	<b>LINK, CONNECTING HANDBRAKE LEVER WITH LEVER AT END OF SUPPORT SHAFT</b>		1	} Fitted from Chassis No. 820001 to 820070 830001 to 832119 827001 to 827539 837001 to 838753 824001 to 825178 834001 to 836743
J.106/16S	<b>Clevis Pin, securing Link to Handbrake Lever</b>		1	
J.106/11S	<b>Clevis Pin, securing Link to Lever on Support Shaft</b>		1	
L.103/6U	<b>Split Pin, retaining Clevis Pins</b>		2	
FW.106/T	<b>Washer, Plain, under Split Pins</b>		2	

# BRAKE CONTROLS

Part No.	Description	Plate No.	No. per Unit	Remarks
C.16785	<b>HANDBRAKE LEVER ASSEMBLY</b>	64-19	1	<b>REQUIRED WHEN STANDARD OR OVERDRIVE TRANSMISSION IS FITTED TO R.H. DRIVE CARS</b> at Chassis No. 820071 and subs. 827540 and subs. 825179 and subs.
C.16786	<b>HANDBRAKE LEVER ASSEMBLY</b>		1	<b>REQUIRED WHEN STANDARD OR OVERDRIVE TRANSMISSION IS FITTED TO L.H. DRIVE CARS</b> at Chassis No. 832120 and subs. 838754 and subs. 836744 and subs.
C.16787	<b>HANDBRAKE LEVER ASSEMBLY</b>		1	<b>REQUIRED WHEN AUTOMATIC TRANSMISSION IS FITTED TO R.H. DRIVE CARS</b> at Chassis No. 820071 and subs. 827540 and subs. 825179 and subs.
C.16788	<b>HANDBRAKE LEVER ASSEMBLY</b>		1	<b>REQUIRED WHEN AUTOMATIC TRANSMISSION IS FITTED TO L.H. DRIVE CARS</b> at Chassis No. 832120 and subs. 838754 and subs. 836744 and subs.
NS.137/5D	<b>Screw, Set, securing Handbrake Lever to Bracket on Propeller Shaft Tunnel</b>		3	
C.726	<b>Washer, Shakeproof, on Setscrews</b>		3	
C.16860	<b>BRACKET ASSEMBLY, MOUNTING WARNING LIGHT SWITCH</b>	64-20	1	} Fitted to Chassis No. 820071 and subs. 832120 and subs. 827540 and subs. 838754 and subs. 825179 and subs. 836744 and subs.
UFS.119/4R	<b>Screw, Set, securing Bracket to Propeller Shaft Tunnel</b>		2	
C.723/A	<b>Washer, Shakeproof, on Setscrews</b>		2	
C.8318	<b>SHAFT, SUPPORTING OPERATING LEVERS</b>	64-21	1	

# BRAKE CONTROLS

Part No.	Description	Plate No.	No. per Unit	Remarks
C.8317	<b>LEVER, AT END OF SHAFT, FOR ATTACHMENT OF HANDBRAKE CONNECTING LINK</b>	64-22	1	
C.13007	<b>LEVER IN CENTRE OF HANDBRAKE SHAFT FOR OPERATION OF HANDBRAKE CABLE</b>	64-23	1	
C.755	<b>Key, locating Levers on Shaft</b>	64-24	2	
NB.131/12D	<b>Bolt, securing Levers to Shaft</b>		2	
NN.131/L	<b>Nut, on Bolts</b>		2	
C.725	<b>Washer, Shakeproof, under Nuts</b>		2	
C.3722	<b>SPRING, ON SUPPORT SHAFT, BETWEEN LEVERS</b>	64-25	1	
C.16866	<b>LINK, CONNECTING HANDBRAKE LEVER WITH LEVER AT END OF SUPPORT SHAFT</b>	64-26	1	} Fitted to Chassis No. 820071 and subs. 832120 and subs. 827540 and subs. 838754 and subs. 825179 and subs. 836744 and subs.
J.106/16S	<b>Clevis Pin, securing Link to Handbrake Lever</b>	64-27	1	
J.106/11S	<b>Clevis Pin, securing Link to Lever on Support Shaft</b>	64-28	1	
L.103/6U	<b>Split Pin, retaining Clevis Pins</b>		2	
FW.106/T	<b>Washer, Plain, under Split Pins</b>		2	
C.3274/1	<b>COMPENSATOR ASSEMBLY FOR HANDBRAKE CABLE</b>		1	} Fitted from Chassis No. 820001 to 820070 830001 to 832119 827001 to 827539 837001 to 838753 824001 to 825178 834001 to 836743
J.106/10S	<b>Clevis Pin, securing Compensator to Compensator Rod</b>		1	
L.103/6U	<b>Split Pin, retaining Clevis Pin</b>		1	
FW.106/T	<b>Washer, Plain, under Split Pin</b>		1	
C.13016	<b>HANDBRAKE CABLE ASSEMBLY</b>		1	
C.13013	<b>Retainer, for Springs</b>		2	
J.105/12S	<b>Clevis Pin, securing Fork Ends on Cable to Operating Lever on Handbrake Mechanisms</b>		2	
L.103/7U	<b>Split Pin, retaining Clevis Pins</b>		2	
FW.105/T	<b>Washer, Plain, under Split Pins</b>		2	

# BRAKE CONTROLS

Part No.	Description	Plate No.	No. per Unit	Remarks
C.13022	<b>CLIP, SECURING HANDBRAKE CABLE TO REAR AXLE TUBES</b>		2	} Fitted from Chassis No. 820001 to 820070 830001 to 832119 827001 to 827539 837001 to 838753 824001 to 825178 834001 to 836743
NS.325/8H	Screw, Set, securing Clips		2	
NN.125/L	Nut, on Setscrews		2	
C.724	Washer, Shakeproof, under Nuts		2	
C.14467	<b>ABUTMENT ASSEMBLY FOR HANDBRAKE CABLE</b>		1	
NB.131/11D	Bolt, securing Handbrake Cable in Abutment Block		2	
NN.131/L	Nut, on Bolts		2	
C.725	Washer, Shakeproof, under Nuts		2	
NS.125/4D	Screw, Set, securing Abutment Assembly		4	
C.724	Washer, Shakeproof, on Setscrews		4	
FW.104/T	Washer, Plain, under Shakeproof Washers		4	
C.3322	<b>COMPENSATOR ROD ASSEMBLY FOR ADJUSTMENT OF HANDBRAKE CABLE</b>	64-29	1	
C.3264	Spring, on Compensator Rod	64-30	1	
C.3265	Trunnion, behind Spring on Compensator Rod	64-31	1	
C.3266	Barrel Nut, on Rod, for Compensator Adjustment	64-32	1	
C.16870	<b>COMPENSATOR LINK ASSEMBLY FOR HANDBRAKE CABLES</b>	64-33	1	} Fitted to Chassis No. 820071 and subs. 832120 and subs. 827540 and subs. 838754 and subs. 825179 and subs. 836744 and subs.
J.106/16S	Clevis Pin, securing Link to Compensator Rod	64-34	1	
FW.106/T	Washer, Plain, on Clevis Pin, above Compensator Rod under top bar of Link		1	
BD.1708/2	Washer, Double Coil Spring, under Compensator Rod, above bottom bar of Link		1	
L.103/6U	Split Pin, retaining Clevis Pin		1	
FW.106/T	Washer, Plain, under Split Pin		1	
C.16868	<b>HANDBRAKE CABLE ASSEMBLY</b>	64-35	2	} Fitted to Chassis No. 820071 and subs. 832120 and subs. 827540 and subs. 838754 and subs. 825179 and subs. 836744 and subs.
C.3265	Trunnion, in Compensator Link, for fixing of Handbrake Cables	64-36	2	
C.3266	Barrel Nut, securing Handbrake Cables to Trunnions	64-37	2	
J.105/12S	Clevis Pin, securing Fork End on Cables to Operating Lever on Handbrake Mechanisms	64-38	2	
L.103/7U	Split Pin, retaining Clevis Pins		2	
FW.105/T	Washer, Plain, under Split Pins		2	

# BRAKE CONTROLS

Part No.	Description	Plate No.	No. per Unit	Remarks
C.16940	<b>CLIP, SECURING HANDBRAKE CABLES TO REAR AXLE TUBES</b>	64-39	2	} Fitted to Chassis No. 820071 and subs. 832120 and subs. 827540 and subs. 838754 and subs. 825179 and subs. 836744 and subs.
UFS.319/7H	Screw, Set, clamping Clips on Cables		2	
C.8667/17	Nut, Self Locking, on Setscrews		2	
NS.325/8H	Screw, Set, securing Clips		2	
NN.125/L	Nut, on Setscrews		2	
C.724	Washer, Shakeproof, under Nuts		2	
C.16863	<b>ABUTMENT ASSEMBLY FOR HANDBRAKE CABLES</b>	64-40	1	} Fitted to Chassis No. 820071 and subs. 832120 and subs. 827540 and subs. 838754 and subs. 825179 and subs. 836744 and subs.
UFB.131/11R	Bolt, securing Handbrake Cable in Abutment Blocks		2	
UFN.131/L	Nut, on Bolts		2	
C.725	Washer, Shakeproof, under Nuts		2	
UFS.125/5R	Screw, Set, securing Abutment		4	
C.724	Washer, Shakeproof, on Setscrews		4	
C.16939	Stiffening Plate, on Setscrews		2	

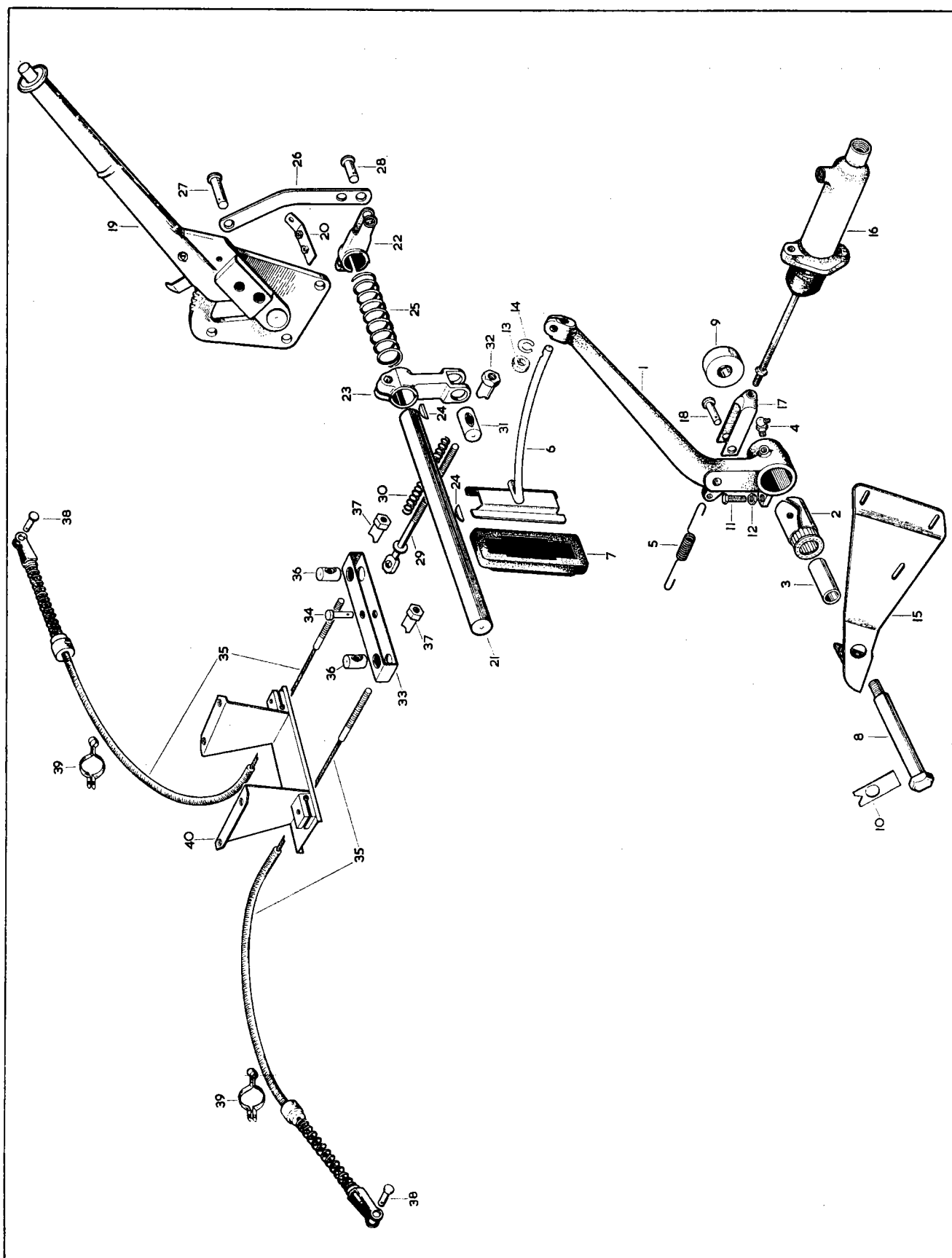


PLATE 64

# HYDRAULIC BRAKE PIPES (R.H. DRIVE CARS ONLY)

Part No.	Description	Plate No.	No. per Unit	Remarks
C.14580	<b>BRAKE MASTER CYLINDER ASSEMBLY (VBM.3248)</b>		1	Fitted from Chassis No. 820001 to 820065 827001 to 827504 824001 to 825124
7474	Body only (VBM.3236)		1	
7475	Piston (VBO.3349)		1	
6951	'O' Ring on Piston (VBO.2417)		1	
6944	Main Spring, behind Piston (VBO.2354)		1	
6942	Spring Support, at forward end of Cylinder Body (VBO.2042)		1	
7675	Spring Support, at rear end of Cylinder Body (VBO.3540)		1	
7676	Valve (VBO.3539)		1	
6943	Spring, on Valve (VBO.1410)		1	
7677	Seal, at end of Valve (VBO.3541)		1	
6946	Push Rod (VBO.2358)		1	
6947	Washer, on Push Rod (VBO.1867)		1	
6948	Circlip, retaining Push Rod in Cylinder Body (VBO.2048)		1	
6945	Dust Excluder over end of Cylinder Body (VBO.1869)		1	
UFN.131/L	Nut, on Push Rod		1	
<b>NOTE.—Individual parts of Master Cylinder no longer supplied. Use Reconditioning Kit to service Master Cylinder.</b>				
C.16470	<b>BRAKE MASTER CYLINDER ASSEMBLY (VBM.3277)</b>	65- 1	1	Fitted to Chassis No. 820066 and subs. 827505 and subs. 825125 and subs.
7474	Body only (VBM.3236)	65- 2	1	
8296	Seal, on Valve (VBO.4842)	65- 3	1	
7676	Valve (VBO.3539)	65- 4	1	
6943	Spring on Valve (VBO.1410)	65- 5	1	
7675	Spring Support at rear end of Cylinder Body (VBO.3540)	65- 6	1	
8292	Main Spring (VBO.4767)	65- 7	1	
6942	Spring Support, at forward end of Cylinder Body (VBO.2042)	65- 8	1	
8293	Cup Seal, on Piston (VBO.4625)	65- 9	1	
8291	Piston (VBO.4768)	65-10	1	
8294	Static Seal, on Piston (VBO.4623)	65-11	1	
6946	Push Rod (VBO.2358)	65-12	1	
6947	Washer on Push Rod (VBO.1867)	65-13	1	
6948	Circlip, retaining Push Rod in Cylinder Body (VBO.2048)	65-14	1	
6945	Dust Excluder, over end of Cylinder Body (VBO.1869)	65-15	1	
UFN.131/L	Nut, on Push Rod	65-16	1	
<b>NOTE.—Individual parts of Master Cylinder no longer supplied. Use Reconditioning Kit to service Master Cylinder.</b>				
UFB.131/8R	Bolt, securing Master Cylinder to Bracket on Chassis Frame		2	
UFN.131/L	Nut, on Bolts		2	
C.740	Washer, Shakeproof, under Nuts		2	
8250	<b>MASTER CYLINDER RECONDITIONING KIT (VBO.4843)</b>		1	

# HYDRAULIC BRAKE PIPES (R.H. DRIVE CARS ONLY)

Part No.	Description	Plate No.	No. per Unit	Remarks
C.13165	<b>BRAKE FLUID SUPPLY TANK (STEEL)</b>		1	} Fitted from Chassis No. 820001 to 820070 827001 to 827539 824001 to 825178
C.5173	Clip, around Supply Tank		1	
UFS.319/8H	Screw, Set, securing Clip		1	
UFN.119/L	Nut, on Setscrew		1	
C.16830	<b>BRAKE FLUID SUPPLY TANK (COMPLETE WITH FILLER CAP AND LEVEL INDICATOR)</b>	65-17	1	} Fitted to Chassis No. 820071 and subs. 827540 and subs. 825179 and subs.
C.16375	Filler Cap and Level Indicator	65-18	1	
C.5173	Clip, around Supply Tank	65-19	1	
UFS.319/8H	Screw, Set, securing Clip		1	
UFN.119/L	Nut, on Setscrew		1	
C.13664	<b>MOUNTING BRACKET ASSEMBLY FOR BRAKE FLUID SUPPLY TANK</b>		1	} <b>FOR CARS EQUIPPED WITH TWIN CARBURETTERS</b> Fitted from Chassis No. 820001 to 820070 827001 to 827539 824001 to 825178
UFS.125/5R	Screw, Set, securing Mounting Bracket to Wing Valance		4	
UFN.125/L	Nut, on Setscrews		4	
C.724	Washer, Shakeproof, under Nuts		4	
UFS.125/5R	Screw, Set, securing Supply Tank Clip to Bracket		1	
C.724	Washer, Shakeproof, on Setscrew		1	
C.13664	<b>MOUNTING BRACKET ASSEMBLY FOR BRAKE FLUID SUPPLY TANK</b>		1	} <b>FOR CARS EQUIPPED WITH TWIN CARBURETTERS</b> Fitted to Chassis No. 820071 and subs. 827540 and subs. 825179 and subs.
UFS.125/5R	Screw, Set, securing Mounting Bracket to R.H. Wing Valance		4	
UFN.125/L	Nut, on Setscrews		4	
C.724	Washer, Shakeproof, under Nuts		4	
UFS.125/9R	Screw, Set, securing Supply Tank Clip to Bracket		1	
C.724	Washer, Shakeproof, on Setscrew		1	
C.5181	Distance Piece, on Setscrew		1	
C.14837	<b>MOUNTING BRACKET ASSEMBLY FOR BRAKE FLUID SUPPLY TANK</b>		1	} <b>FITTED TO 'S' MODELS ONLY.</b>
UFS.125/5R	Screw, Set, securing Mounting Bracket to Wing Valance and Supply Tank Clip to Bracket		3	
C.724	Washer, Shakeproof, on Setscrews		3	



# HYDRAULIC BRAKE PIPES (R.H. DRIVE CARS ONLY)

Part No.	Description	Plate No.	No. per Unit	Remarks
C.13192	<b>HYDRAULIC PIPE FROM MASTER CYLINDER TO PIPE CONNECTOR (VBO.3180)</b>	65-23	1	
C.13187	<b>CONNECTOR FOR HYDRAULIC PIPES (VBO.1766)</b>	65-24	1	
C.13193	<b>HYDRAULIC PIPE FROM CONNECTOR TO BRAKE SERVO (VBO.3179)</b>	65-25	1	
C.12937	<b><math>\frac{67}{8}</math>" BRAKE VACUUM SERVO (LOCKHEED 91504)</b>		1	
C.13167	<b>BRACKET ASSEMBLY MOUNTING SERVO AT MAIN CYLINDER END</b>		1	
BD.3210	<b>Grommet, on Servo Bolts</b>		3	
FW.104/T	<b>Washer, Plain, at each side of Grommet</b>		6	
UFN.125/L	<b>Nut, securing Bracket to Servo</b>		3	
C.724	<b>Washer, Shakeproof, under Nuts</b>		3	
UFS.125/4R	<b>Screw, Set, securing Bracket to Body</b>		2	
UFN.125/L	<b>Nut, securing Bracket to Body</b>		1	
C.724	<b>Washer, Shakeproof, under Nut and on Setscrews</b>		3	
C.11908	<b>Distance Piece at Servo fixing</b>		3	
C.13266	<b>BRACKET ASSEMBLY MOUNTING SERVO AT SLAVE CYLINDER END</b>		1	
C.11001	<b>Clamp Block, for fixing of Servo</b>		1	
C.11002	<b>Clamp, securing Servo to Bracket</b>		1	
UFB.125/12R	<b>Bolt, securing Clamp</b>		2	
UFS.125/4R	<b>Screw, Set, securing Bracket to Body</b>		2	
UFN.125/L	<b>Nut, on Bolts</b>		2	
FW.104/T	<b>Washer, Plain, on Bolts and Setscrews</b>		4	
C.724	<b>Washer, Shakeproof, on Bolts and Setscrews</b>		4	
C.13172	<b>AIR CLEANER FOR BRAKE VACUUM SERVO (7223289)</b>		1	
C.2905/1	<b>Clip, securing Air Cleaner to Servo</b>		1	Fitted from Chassis No. 820001 to 820016 827001 to 827271 824001 to 824741

# HYDRAULIC BRAKE PIPES (R.H. DRIVE CARS ONLY)

Part No.	Description	Plate No.	No. per Unit	Remarks
C.14487	<b>ELBOW PIPE, CONNECTING AIR CLEANER TO SERVO</b>		1	} Fitted to Chassis No. 820017 and subs. 827272 and subs. 824742 and subs.
C.2905/1	Clip, securing Elbow Pipe to Air Cleaner and Servo		2	
C.13177	<b>HYDRAULIC PIPE FROM BRAKE SERVO TO 5-WAY UNION (VBO.2284)</b>	65-26	1	
C.13179	<b>5-WAY UNION (VBO.1335)</b>	65-27	1	
UFS.125/8R C.724	Screw, Set, securing 5-Way Union to Chassis Frame Washer, Shakeproof, on Setscrew		1 1	
C.13180	<b>HYDRAULIC PIPE FROM 5-WAY UNION TO R.H. FRONT BRAKE HOSE (VBO.2285)</b>	65-28	1	
C.13181	<b>HYDRAULIC PIPE FROM 5-WAY UNION TO L.H. FRONT BRAKE HOSE (VBO.2286)</b>	65-29	1	
C.13182	<b>FRONT BRAKE HOSE (WDO.21682)</b>	65-30	2	
UFN.237/L C.726	Nut, securing Hoses to Brackets on Chassis Frame and Front Suspension Washer, Shakeproof, under Nuts	65-31 65-32	4 4	
C.13183	<b>HYDRAULIC PIPE FROM R.H. FRONT BRAKE HOSE TO CALIPER (VBO.2369)</b>	65-33	1	
C.13184	<b>HYDRAULIC PIPE FROM L.H. FRONT BRAKE HOSE TO CALIPER (VBO.2370)</b>	65-34	1	

# HYDRAULIC BRAKE PIPES (R.H. DRIVE CARS ONLY)

Part No.	Description	Plate No.	No. per Unit	Remarks
C.13185	HYDRAULIC PIPE FROM 5-WAY UNION TO PIPE CONNECTOR (VBO.2287)	65-35	1	} REQUIRED ONLY WHEN STANDARD OR OVERDRIVE TRANSMISSION IS FITTED.
C.13187	CONNECTOR FOR HYDRAULIC PIPES (VBO.1766)	65-36	1	
C.13186	HYDRAULIC PIPE FROM CONNECTOR TO REAR FLEXIBLE HOSE (VBO.2288)	65-37	1	
C.13264	HYDRAULIC PIPE FROM 5-WAY UNION TO ANTI-CREEP SOLENOID VALVE (VBO.2289)		1	REQUIRED ONLY WHEN AUTOMATIC TRANSMISSION IS FITTED.
C.6857	ANTI-CREEP SOLENOID VALVE (527521)		1	REQUIRED WHEN AUTOMATIC TRANSMISSION IS FITTED From Chassis No. 824001 to 824045
C.12750	ANTI-CREEP SOLENOID VALVE (76502/D—BVS.1)		1	REQUIRED WHEN AUTOMATIC TRANSMISSION IS FITTED at Chassis No. 820001 and subs. 827001 and subs. 824046 and subs.
C.7673 C.2296/8 UFS.131/5R C.725	Adaptor, in end of Solenoid Valve Copper Washer, under Adaptor Screw, Set, securing Anti-creep Solenoid Valve Washer, Shakeproof, on Setscrews		1 1 2 2	} REQUIRED ONLY WHEN AUTOMATIC TRANSMISSION IS FITTED.
C.13265	HYDRAULIC PIPE FROM ANTI-CREEP SOLENOID VALVE TO REAR FLEXIBLE HOSE (VBO.2290)		1	

# HYDRAULIC BRAKE PIPES (R.H. DRIVE CARS ONLY)

Part No.	Description	Plate No.	No. per Unit	Remarks
C.13188	<b>REAR FLEXIBLE HOSE FROM PIPE TO 3-WAY UNION ON REAR AXLE (WDO.20941)</b>	65-38	1	
UFN.237/L C.726	<b>Nut, securing Rear Hose to Bracket on Chassis Frame</b> <b>Washer, Shakeproof, under Nut</b>	65-39 65-40	1 1	
C.13189	<b>3-WAY UNION ON REAR AXLE (VBO.2451)</b>	65-41	1	
C.13391	<b>Copper Washer, at connection of Rear Hose to 3-Way Union (VBO.232)</b>	65-42	1	
UFS.137/6R C.726	<b>Screw, Set, securing 3-Way Union</b> <b>Washer, Shakeproof, on Setscrew</b>		1 1	
C.13190	<b>HYDRAULIC PIPE FROM 3-WAY UNION TO L.H. REAR CALIPER (VBO.2291)</b>	65-43	1	
C.13191	<b>HYDRAULIC PIPE FROM 3-WAY UNION TO R.H. REAR CALIPER (VBO.2292)</b>	65-44	1	
C.1040/24	<b>Clip, on Gear Carrier Cover bolt, for fixing of Hydraulic Pipe (187008)</b>	65-45	1	
C.7860	<b>CLIP, RETAINING BRAKE PIPES ON REAR AXLE</b>	65-46	2	
UFS.325/8H UFN.125/L C.724	<b>Screw, Set, securing Clips</b> <b>Nut, on Setscrews</b> <b>Washer, Shakeproof, under Nuts</b>		2 2 2	
C.5023	<b>CLIP, SECURING HYDRAULIC PIPES TO CHASSIS FRAME</b>	65-47	See Remarks	<b>7 REQUIRED WHEN STANDARD OR OVERDRIVE TRANSMISSION IS FITTED.</b> <b>11 REQUIRED WHEN AUTOMATIC TRANSMISSION IS FITTED.</b>

# HYDRAULIC BRAKE PIPES (L.H. DRIVE CARS ONLY)

Part No.	Description	Plate No.	No. per Unit	Remarks
C.14580	<b>BRAKE MASTER CYLINDER ASSEMBLY (VBM.3248)</b>		1	Fitted from Chassis No. 830001 to 832112 837001 to 838589 834001 to 836634
7474	Body only (VBM.3236)		1	
7475	Piston (VBO.3349)		1	
6951	'O' Ring on Piston (VBO.2417)		1	
6944	Main Spring, behind Piston (VBO.2354)		1	
6942	Spring Support, at forward end of Cylinder Body (VBO.2042)		1	
7675	Spring Support, at rear end of Cylinder Body (VBO.3540)		1	
7676	Valve (VBO.3539)		1	
6943	Spring, on Valve (VBO.1410)		1	
7677	Seal, at end of Valve (VBO.3541)		1	
6946	Push Rod (VBO.2358)		1	
6947	Washer, on Push Rod (VBO.1867)		1	
6948	Circlip, retaining Push Rod in Cylinder Body (VBO.2048)		1	
6945	Dust Excluder, over end of Cylinder Body (VBO.1869)		1	
UFN.131/L	Nut, on Push Rod		1	
<b>NOTE.—Individual parts of Master Cylinder no longer supplied. Use Reconditioning Kit to service Master Cylinder.</b>				
C.16470	<b>BRAKE MASTER CYLINDER ASSEMBLY (VBM.3277)</b>	65-48	1	Fitted to Chassis No. 832113 and subs. 838590 and subs. 836635 and subs.
7474	Body only (VBM.3236)	65- 2	1	
8296	Seal, on Valve (VBO.4842)	65- 3	1	
7676	Valve (VBO.3539)	65- 4	1	
6943	Spring, on Valve (VBO.1410)	65- 5	1	
7675	Spring Support, at rear end of Cylinder Body (VBO.3540)	65- 6	1	
8292	Main Spring (VBO.4767)	65- 7	1	
6942	Spring Support at forward end of Cylinder Body (VBO.2042)	65- 8	1	
8293	Cup Seal on Piston (VBO.4625)	65- 9	1	
8291	Piston (VBO.4768)	65-10	1	
8294	Static Seal on Piston (VBO.4623)	65-11	1	
6946	Push Rod (VBO.2358)	65-12	1	
6947	Washer on Push Rod (VBO.1867)	65-13	1	
6948	Circlip, retaining Push Rod in Cylinder Body (VBO.2048)	65-14	1	
6945	Dust Excluder over end of Cylinder Body (VBO.1869)	65-15	1	
UFN.131/L	Nut, on Push Rod	65-16	1	
<b>NOTE.—Individual parts of Master Cylinder no longer supplied. Use Reconditioning Kit to service Master Cylinder.</b>				
UFB.131/8R	Bolt, securing Master Cylinder to Bracket on Chassis Frame		2	
UFN.131/L	Nut, on Bolts		2	
C.740	Washer, Shakeproof, under Nuts		2	
8250	<b>MASTER CYLINDER RECONDITIONING KIT (VBO.4843)</b>		1	

# HYDRAULIC BRAKE PIPES (L.H. DRIVE CARS ONLY)

Part No.	Description	Plate No.	No. per Unit	Remarks
C.14687	<b>BRAKE FLUID SUPPLY TANK (GLASS) (3000801)</b>		1	<b>FITTED TO CARS EXPORTED TO DENMARK, FRANCE, GERMANY, HOLLAND, SWEDEN AND SWITZERLAND</b> from Chassis No. 832093 to 832119 838311 to 838753 836293 to 836743
C.15261	Top Cover (378484)		1	
C.15262	Cap in Top Cover (393320)		1	
C.15263	Washer, under Cap (360600)		1	
C.3609	Glass only (48/MQ/201)		1	
C.15264	Clip, for mounting of Supply Tank (378621)		1	
C.15265	Screw, securing Clip to Top Cover (H.1796)		4	
C.15266	Nut, on Screws (10800)		4	
C.14962	Adaptor, for Fluid Feed		1	
C.15267	Washer (Rubber) on Adaptor at each side of Glass (362910)		2	
C.791/1	Washer (Plain) above and below Rubber Washers		2	
C.15669	Nut, securing Adaptor (H.1253)		1	
UFS.131/4R	Screw, Set, securing Supply Tank to L.H. Wing Valance		2	
UFN.131/L	Nut, on Setscrews		2	
C.725	Washer, Shakeproof, under Nuts		2	
C.13165	<b>BRAKE FLUID SUPPLY TANK (STEEL)</b>		1	Fitted from Chassis No. 830001 to 832119 837001 to 838753 834001 to 836743 <b>EXCEPT CARS EXPORTED TO DENMARK, FRANCE, GERMANY, HOLLAND, SWEDEN AND SWITZERLAND</b> from Chassis No. 832093 to 832119 838311 to 838753 836293 to 836743
C.5173	Clip, around Supply Tank		1	
UFS.319/8H	Screw, Set, securing Clip		1	
UFN.119/L	Nut, on Setscrew		1	
C.16830	<b>BRAKE FLUID SUPPLY TANK (COMPLETE WITH FILLER CAP AND LEVEL INDICATOR)</b>	65-49	1	Fitted to Chassis No. 832120 and subs. 838754 and subs. 836744 and subs.
C.16375	Filler Cap and Level Indicator	65-50	1	
C.5173	Clip, around Supply Tank	65-51	1	
UFS.319/8H	Screw, Set, securing Clip		1	
UFN.119/L	Nut, on Setscrew		1	
C.5181	<b>DISTANCE PIECE AT SUPPLY TANK MOUNTING</b>		1	<b>NOT REQUIRED FOR CARS EXPORTED TO DENMARK, FRANCE, GERMANY, HOLLAND, SWEDEN OR SWITZERLAND</b> from Chassis No. 832093 to 832119 838311 to 838753 836293 to 836743
UFS.125/9R	Screw, Set, securing Supply Tank to Valance		1	
UFN.125/L	Nut, on Setscrew		1	
C.724	Washer, Shakeproof, under Nut		1	

# HYDRAULIC BRAKE PIPES (L.H. DRIVE CARS ONLY)

Part No.	Description	Plate No.	No. per Unit	Remarks
C.16146	HYDRAULIC PIPE FROM SUPPLY TANK TO HOSE		1	<b>FOR USE ON CARS EXPORTED TO DENMARK, FRANCE, GERMANY, HOLLAND, SWEDEN AND SWITZERLAND</b> Fitted from Chassis No. 832093 to 832119 838311 to 838753 836293 to 836743
C.13173	HYDRAULIC PIPE FROM SUPPLY TANK TO HOSE (VBO.2280)		1	Fitted from Chassis No. 830001 to 832119 837001 to 838753 834001 to 836743 <b>BUT NOT REQUIRED FOR CARS EXPORTED TO DENMARK, FRANCE, GERMANY, HOLLAND, SWEDEN OR SWITZERLAND</b> from Chassis No. 832093 to 832119 838311 to 838753 836293 to 836743
C.13175	HYDRAULIC PIPE FROM HOSE TO MASTER CYLINDER (VBO.2282)		1	}  Fitted from Chassis No. 830001 to 832119 837001 to 838753 834001 to 836743
C.6854	HOSE, CONNECTING HYDRAULIC PIPES		1	
C.15886/5	Clip, securing Hose		2	
C.6854	HOSE, FROM SUPPLY TANK TO HYDRAULIC PIPE	65-52	1	}  Fitted to Chassis No. 832120 and subs. 838754 and subs. 836744 and subs.
C.15886/5	Clip, securing Hose	65-53	2	
C.16943	HYDRAULIC PIPE FROM HOSE TO MASTER CYLINDER	65-54	1	

# HYDRAULIC BRAKE PIPES (L.H. DRIVE CARS ONLY)

Part No.	Description	Plate No.	No. per Unit	Remarks
C.13176	<b>HYDRAULIC PIPE FROM MASTER CYLINDER TO BRAKE SERVO (VBO.2281)</b>	65-55	1	
C.12937	<b>6<sup>7</sup>/<sub>8</sub>" BRAKE VACUUM SERVO (LOCKHEED 91504)</b>		1	
C.13167	<b>BRACKET ASSEMBLY MOUNTING SERVO AT MAIN CYLINDER END</b>		1	
BD.3210	<b>Grommet, on Servo Bolts</b>		3	
FW.104/T	<b>Washer, Plain, at each side of Grommet</b>		6	
UFN.125/L	<b>Nut, securing Bracket to Servo</b>		3	
C.724	<b>Washer, Shakeproof, under Nuts</b>		3	
UFS.125/4R	<b>Screw, Set, securing Bracket to Body</b>		2	
UFN.125/L	<b>Nut, securing Bracket to Body</b>		1	
C.724	<b>Washer, Shakeproof, under Nut and on Setscrews</b>		3	
C.11908	<b>Distance Piece at Servo fixing</b>		3	
C.13266	<b>BRACKET ASSEMBLY MOUNTING SERVO AT SLAVE CYLINDER END</b>		1	
C.11001	<b>Clamp Block for fixing of Servo</b>		1	
C.11002	<b>Clamp, securing Servo to Bracket</b>		1	
UFB.125/12R	<b>Bolt, securing Clamp</b>		2	
UFS.125/4R	<b>Screw, Set, securing Bracket to Body</b>		2	
UFN.125/L	<b>Nut, on Bolts</b>		2	
FW.104/T	<b>Washer, Plain, on Bolts and Setscrews</b>		4	
C.724	<b>Washer, Shakeproof, on Bolts and Setscrews</b>		4	
C.13172	<b>AIR CLEANER FOR BRAKE VACUUM SERVO (7223289)</b>		1	
C.2905/1	<b>Clip, securing Air Cleaner to Servo</b>		1	Fitted from Chassis No. 830001 to 831898 837001 to 837940 834001 to 835934



# HYDRAULIC BRAKE PIPES (L.H. DRIVE CARS ONLY)

Part No.	Description	Plate No.	No. per Unit	Remarks
C.14487	<b>ELBOW PIPE, CONNECTING AIR CLEANER TO SERVO</b>		1	} Fitted to Chassis No. 831899 and subs. 837941 and subs. 835935 and subs.
C.2905/1	<b>Clip, securing Elbow Pipe to Air Cleaner and Servo</b>		2	
C.13177	<b>HYDRAULIC PIPE FROM BRAKE SERVO TO 5-WAY UNION (VBO.2284)</b>	65-56	1	
C.13179	<b>5-WAY UNION (VBO.1335)</b>	65-57	1	
UFS.125/8R C.724	<b>Screw, Set, securing 5-Way Union to Chassis Frame Washer, Shakeproof, on Setscrew</b>		1 1	
C.13180	<b>HYDRAULIC PIPE FROM 5-WAY UNION TO R.H. FRONT BRAKE HOSE (VBO.2285)</b>	65-58	1	
C.13181	<b>HYDRAULIC PIPE FROM 5-WAY UNION TO L.H. FRONT BRAKE HOSE (VBO.2286)</b>	65-59	1	
C.13182	<b>FRONT BRAKE HOSE (WDO.21682)</b>	65-60	2	
UFN.237/L C.726	<b>Nut, securing Hose to Brackets on Chassis Frame and Front Suspension Washer, Shakeproof, under Nuts</b>	65-61 65-62	4 4	

# HYDRAULIC BRAKE PIPES (L.H. DRIVE CARS ONLY)

Part No.	Description	Plate No.	No. per Unit	Remarks
C.13183	HYDRAULIC PIPE, FROM R.H. FRONT BRAKE HOSE TO CALIPER (VBO.2369)	65-63	1	
C.13184	HYDRAULIC PIPE FROM L.H. FRONT BRAKE HOSE TO CALIPER (VBO.2370)	65-64	1	
C.13185	HYDRAULIC PIPE FROM 5-WAY UNION TO PIPE CONNECTOR (VBO.2287)	65-65	1	} REQUIRED ONLY WHEN STANDARD OR OVERDRIVE TRANSMISSION IS FITTED.
C.13187	CONNECTOR FOR HYDRAULIC PIPES (VBO.1766)	65-66	1	
C.13186	HYDRAULIC PIPE FROM CONNECTOR TO REAR FLEXIBLE HOSE (VBO.2288)	65-67	1	
C.13264	HYDRAULIC PIPE FROM 5-WAY UNION TO ANTI-CREEP SOLENOID VALVE (VBO.2289)		1	REQUIRED ONLY WHEN AUTOMATIC TRANSMISSION IS FITTED.
C.6857	ANTI-CREEP SOLENOID VALVE (527521)		1	REQUIRED WHEN AUTOMATIC TRANSMISSION IS FITTED from Chassis No. 837001 to 837029 834001 to 834490

# HYDRAULIC BRAKE PIPES (L.H. DRIVE CARS ONLY)

Part No.	Description	Plate No.	No. per Unit	Remarks
C.12750	<b>ANTI-CREEP SOLENOID VALVE (76502/D—BVS.1)</b>		1	<b>REQUIRED WHEN AUTOMATIC TRANSMISSION IS FITTED</b> at Chassis No. 830001 and subs. 837030 and subs. 834491 and subs.  <b>REQUIRED ONLY WHEN AUTOMATIC TRANSMISSION IS FITTED.</b>
C.7673	<b>Adaptor</b> , in end of Solenoid Valve		1	
C.2296/8	<b>Copper Washer</b> , under Adaptor		1	
UFS.131/5R	<b>Screw, Set</b> , securing Anti-Creep Solenoid Valve		2	
C.725	<b>Washer</b> , Shakeproof, on Setscrews		2	
C.13265	<b>HYDRAULIC PIPE FROM ANTI-CREEP SOLENOID VALVE TO REAR FLEXIBLE HOSE (VBO.2290)</b>		1	
C.13188	<b>REAR FLEXIBLE HOSE FROM PIPE TO 3-WAY UNION ON REAR AXLE (WDO.20941)</b>	65-68	1	
UFN.237/L C.726	<b>Nut</b> , securing Rear Hose to Bracket on Chassis Frame <b>Washer</b> , Shakeproof, under Nut	65-69 65-70	1 1	
C.13189	<b>3-WAY UNION ON REAR AXLE (VBO.2451)</b>	65-71	1	
C.13391	<b>Copper Washer</b> , at connection of Rear Hose to 3-Way Union (VBO.232)	65-72	1	
UFS.137/6R C.726	<b>Screw, Set</b> , securing 3-Way Union <b>Washer</b> , Shakeproof, on Setscrew		1 1	
C.13190	<b>HYDRAULIC PIPE FROM 3-WAY UNION TO L.H. REAR CALIPER (VBO.2291)</b>	65-73	1	
C.13191	<b>HYDRAULIC PIPE FROM 3-WAY UNION TO R.H. REAR CALIPER (VBO.2292)</b>	65-74	1	
C.1040/24	<b>Clip</b> , on Gear Carrier Cover bolt, for fixing of Hydraulic Pipe (187008)	65-75	1	

# HYDRAULIC BRAKE PIPES (L.H. DRIVE CARS ONLY)

Part No.	Description	Plate No.	No. per Unit	Remarks
C.7860	<b>CLIP, RETAINING BRAKE PIPES ON REAR AXLE</b>	65-76	2	
UFS.325/8H	<b>Screw, Set, securing Clips</b>		2	
UFN.125/L	<b>Nut, on Setscrew</b>		2	
C.724	<b>Washer, Shakeproof, under Nuts</b>		2	
C.5023	<b>CLIP, SECURING HYDRAULIC PIPES TO CHASSIS FRAME</b>	65-77	8	

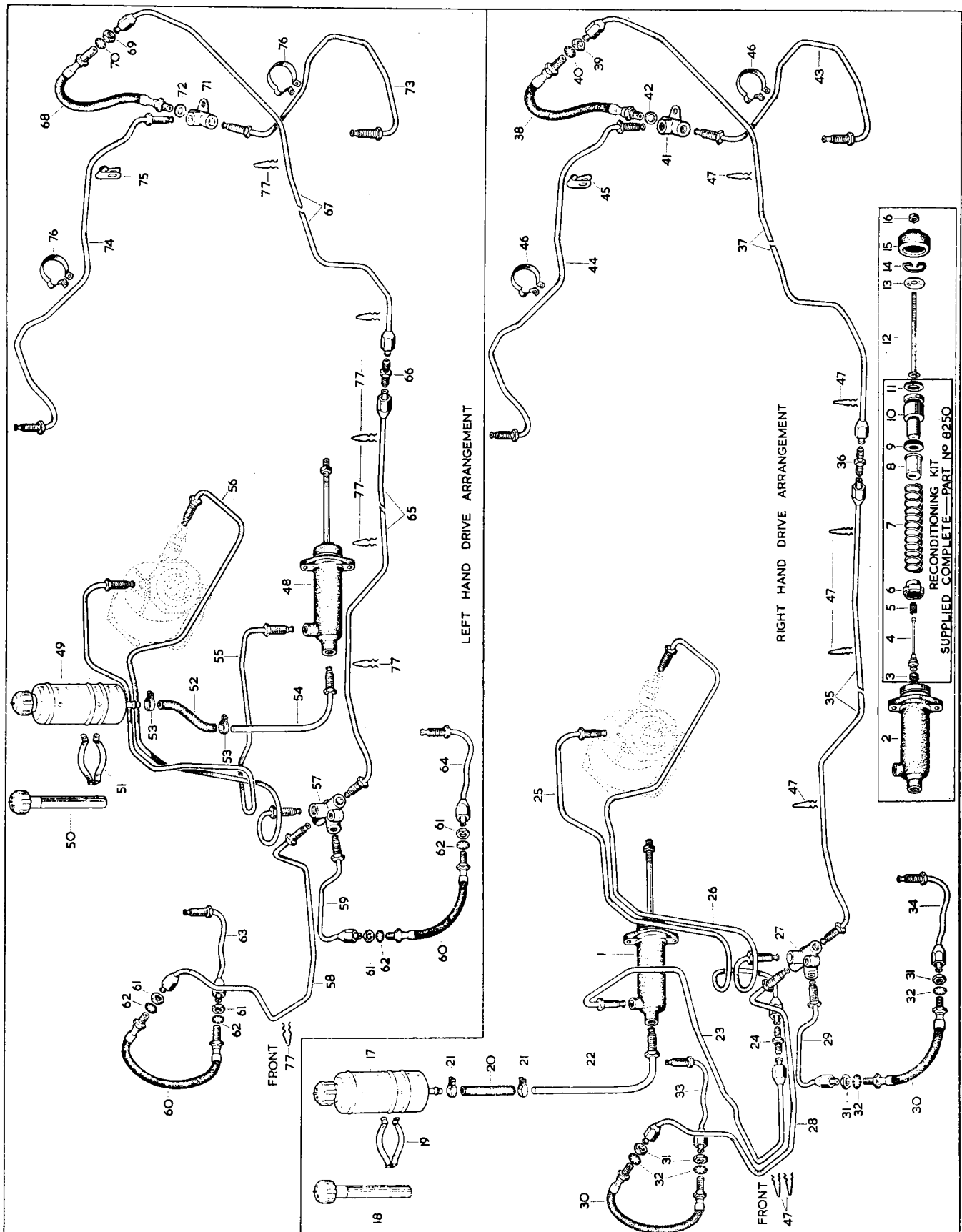


PLATE 65