

FRONT BRAKES

Part No.	Description	Plate No.	No. per Unit	Remarks
C.7824	R.H. FRONT BRAKE ASSEMBLY (LOCKHEED 35428)		1	
C.7825	L.H. FRONT BRAKE ASSEMBLY (LOCKHEED 35429)		1	
30636	Backplate only, R.H.	Y.1	1	
30637	Backplate only, L.H.		1	
35130	Shoe Assembly (complete with M.20 Linings)	Y.2	4	
30628	Spring, Pull-Off, for Front Brake Shoes	Y.3	4	
31057	Bar for Automatic Shoe Adjustment	Y.4	4	
31059	Pad, Friction, at each side of Bar	Y.5	8	
34015	Plate (bottom) enclosing Friction Pads	Y.6	4	
34016	Plate (top) enclosing Friction Pads	Y.7	4	
31058	Bolt, securing Friction Pads and Plates to Bars	Y.8	4	
31061	Coil Spring on Bolts	Y.9	4	
31705	Nut, Slotted, on Bolts	Y.10	4	
K.19803	Pin, Split, retaining Slotted Nuts	Y.11	4	
30627	Spring, Ratchet, operating Shoe Adjustment	Y.12	4	
33453	Pin, anchoring Bar to Brake Shoes	Y.13	4	
K.19109	Washer, Plain, on Anchor Pins	Y.14	4	
KL.40002	Circlip, retaining Adjusting Bars to Anchor Pins	Y.15	4	
30619	Pin, Anchor, in Backplates, for Shoe Pull-Off Springs	Y.16	4	
K.18609	Nut, securing Anchor Pins and Wheel Cylinders to Backplates	Y.17	10	
K.19208	Washer, Spring, under Nuts	Y.18	10	
30635	Wheel Cylinder Assembly		4	
C.3924	Bridge-Pipe, connecting Wheel Cylinders on Front Brakes (T.4/10B)	Y.19	2	
30635	FRONT WHEEL CYLINDER ASSEMBLY		4	
30629	Body only (complete with Bolts and Abutment Strips)	Y.20	4	
30631	Piston	Y.21	4	
2762	Seal	Y.22	4	
29660	Filler Piece for Seals	Y.23	4	
30977	Spring, behind Filler Pieces	Y.24	4	
30632	Boot (Rubber) over end of Pistons	Y.25	4	
30795	Clip, securing Boots	Y.26	4	
KL.71490	REPAIR KIT FOR SERVICING 30635 FRONT WHEEL CYLINDERS		4	

FRONT BRAKES

Part No.	Description	Plate No.	No. per Unit	Remarks
FITTINGS FOR FRONT WHEEL CYLINDERS				
C.3904	Banjo for R.H. Top Front Wheel Cylinder (22864)		1	
C.3905	Banjo for L.H. Top Front Wheel Cylinder (22863)		1	
C.3907	Banjo for bottom Front Wheel Cylinders (22865)		2	
C.3906	Bolt, securing Banjos to Wheel Cylinders (10543)		4	
C.3925	Gasket (Small) on Banjo Bolts (KL.44518)		4	
C.3926	Gasket (Large) on Banjo Bolts (KL.44522)		4	
C.3908	Screw, Bleeder, in Banjos on Bottom Wheel Cylinders (12272)		2	
35130	FRONT BRAKE SHOE ASSEMBLY	Y.2	4	
35129	Lining only (M.20)		4	
KLB.48045	Rivet, securing Linings to Brake Shoes		48	

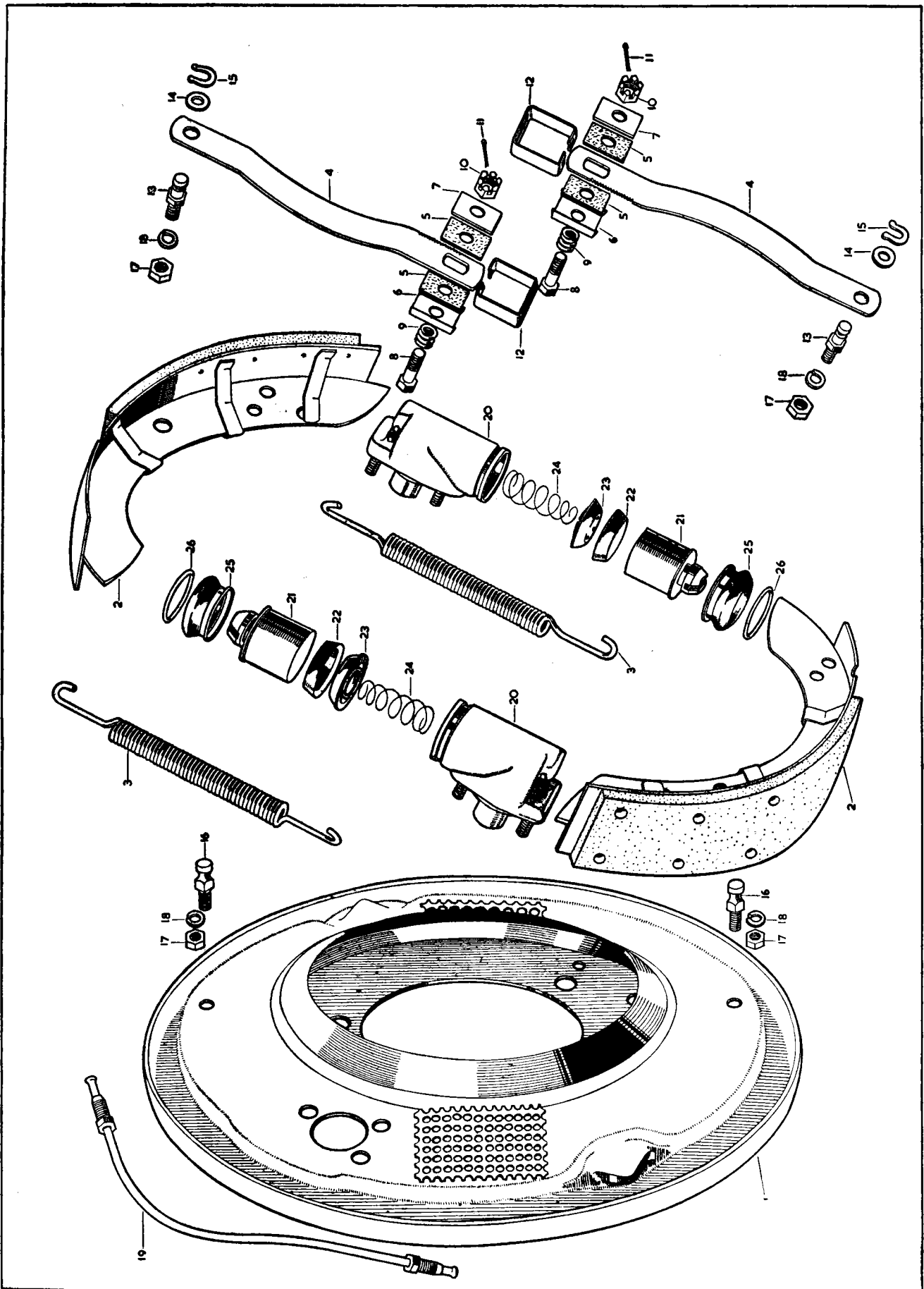


PLATE Y

REAR BRAKES

Part No.	Description	Plate No.	No. per Unit	Remarks
C.7826	R.H. REAR BRAKE ASSEMBLY (LOCKHEED 35430)		1	} Fitted from Chassis No. 800001 to 800024. 810001 to 811283. 804001 to 804079. 814001 to 814152. 807001 to 807079. 817001 to 817355.
C.7827	L.H. REAR BRAKE ASSEMBLY (LOCKHEED 35431)		1	
31393	Backplate only, R.H.		1	
31394	Backplate only, L.H.		1	
35130	Shoe Assembly (complete with M.20 Linings)		4	
21792	Spring, "Beehive" steadying Shoes		4	
30708	Spring, Pull-Off (Adjuster side of Brake Shoes)		2	
30709	Spring, Pull-Off (Wheel Cylinder side of Brake Shoes)		2	
39037	Adjuster Assembly on R.H. Rear Brake		1	
39038	Adjuster Assembly on L.H. Rear Brake		1	
31265	Screw, Set, securing Adjuster to Backplates		4	
K.19209	Washer, Spring, on Setscrews		4	
30730	Wheel Cylinder Assembly		2	
21740	Boot for Rear Wheel Cylinders		2	
C.7826/1	R.H. REAR BRAKE ASSEMBLY (LOCKHEED 39378)		1	} Fitted to Chassis No. 800025 and subs. 811284 and subs. 804080 and subs. 814153 and subs. 807080 and subs. 817356 and subs.
C.7827/1	L.H. REAR BRAKE ASSEMBLY (LOCKHEED 39379)		1	
31393	Backplate only, R.H.	Z.1	1	
31394	Backplate only, L.H.		1	
35130	Shoe Assembly (complete with M.20 Linings)	Z.2	4	
21792	Spring, "Beehive" steadying Shoes	Z.3	4	
30708	Spring, Pull-off (Adjuster side of Brake Shoes)	Z.4	2	
30709	Spring, Pull-off (Wheel Cylinder side of Brake Shoes)	Z.5	2	
39037	Adjuster Assembly on R.H. Rear Brake		1	
39038	Adjuster Assembly on L.H. Rear Brake		1	
31265	Screw, Set, securing Adjusters to Backplates		4	
K.19209	Washer, Spring, on Setscrews		4	
39377	Wheel Cylinder Assembly		2	
35415	Boot for Rear Wheel Cylinders	Z.6	2	
39037	ADJUSTER ASSEMBLY ON R.H. REAR BRAKE		1	
39038	ADJUSTER ASSEMBLY ON L.H. REAR BRAKE		1	
30754	Body only (complete with Abutment Strip)	Z.7	2	
30722	Screw, operating Brake Shoe Adjustment	Z.8	2	
30717	Wheel Assembly, operating Screws	Z.9	2	
31185	Bracket for Adjuster	Z.10	2	
31186	Spring, "Clicker"	Z.11	2	
31182	Pinion under "Clicker" Spring	Z.12	2	
31183	Plate at top of Pinion	Z.13	2	

REAR BRAKES

Part No.	Description	Plate No.	No. per Unit	Remarks
FITTINGS FOR REAR WHEEL CYLINDERS				
C.3907	Banjo for Rear Wheel Cylinders (22865)		2	
C.3906	Bolt, securing Banjos to Wheel Cylinders (10543)		2	
C.3925	Gasket (Small) on Banjo Bolts (KL.44518)		2	
C.3926	Gasket (Large) on Banjo Bolts (KL.44522)		2	
C.3908	Screw, Bleeder, in Banjos (12272)		2	
35130	REAR BRAKE SHOE ASSEMBLY	Z.2	4	
35129	Lining only (M.20)		4	
KLB.48045	Rivet, securing Linings to Brake Shoes		48	

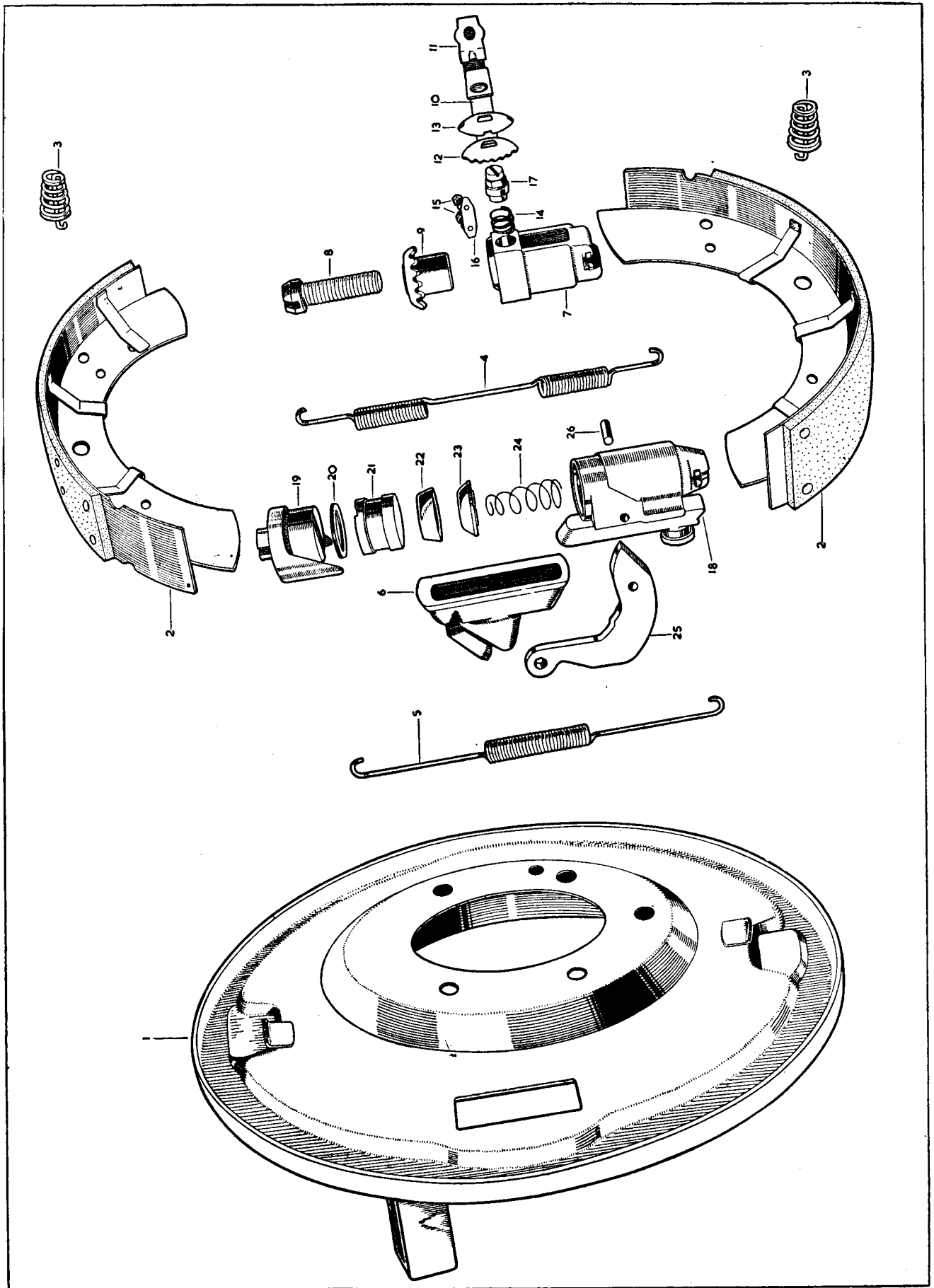


PLATE Z

BRAKE CONTROLS

Part No.	Description	Plate No.	No. per Unit	Remarks
C.7549	BRAKE PEDAL	AA.1	1	RIGHT HAND DRIVE OPEN AND DROP HEAD COUPE ONLY.
C.7550	BRAKE PEDAL		1	LEFT HAND DRIVE OPEN AND DROP HEAD COUPE ONLY.
C.8868	BRAKE PEDAL		1	RIGHT HAND DRIVE FIXED HEAD COUPE ONLY.
C.10348	BRAKE PEDAL		1	LEFT HAND DRIVE FIXED HEAD COUPE ONLY.
C.3223	Bearing, Roller, inside Pedal Boss	AA.2	1	
C.3224	Sleeve, inside Roller Bearing	AA.3	1	
C.3363/1	Nipple, Grease, on Pedal Boss (Tec. NA.6666)	AA.4	1	
NS.131/12D	Screw, Set, for Pedal Stop	AA.5	1	
NN.231/L	Nut on Stop Screw	AA.6	1	
NN.143/L	Nut, securing Brake Pedal and Tie Bracket to Shaft in Chassis Frame		1	
C.727	Washer, Shakeproof, under Nut		1	
C.6761	Fork-End, for connection of Pedal to Master Cylinder	AA.7	1	
J.106/17S	Pin, Clevis, securing Fork-End to Brake Pedal	AA.8	1	
FW.106/T	Washer, Plain, on Clevis Pin	AA.9	1	
L.103/7U	Pin, Split, securing Clevis Pin in Pedal	AA.10	1	
C.8288	TIE BRACKET BETWEEN BRAKE PEDAL AND MASTER CYLINDER	AA.11	1	FITTED TO R.H. DRIVE CARS ONLY.
C.8289	TIE BRACKET BETWEEN BRAKE PEDAL AND MASTER CYLINDER		1	FITTED TO L.H. DRIVE CARS ONLY.
C.4801	RETURN SPRING FOR BRAKE PEDAL	AA.12	1	
C.7782	STEM AND PLATE ASSEMBLY FOR BRAKE PEDAL	AA.13	1	R.H. DRIVE OPEN AND DROP HEAD COUPE ONLY.
C.9554	STEM AND PLATE ASSEMBLY FOR BRAKE PEDAL		1	L.H. DRIVE OPEN AND DROP HEAD COUPE ONLY.

BRAKE CONTROLS

Part No.	Description	Plate No.	No. per Unit	Remarks
C.8865	STEM AND PLATE ASSEMBLY FOR BRAKE PEDAL		1	R.H. DRIVE FIXED HEAD COUPE ONLY.
C.10349	STEM AND PLATE ASSEMBLY FOR BRAKE PEDAL		1	L.H. DRIVE FIXED HEAD COUPE ONLY.
NB.131/10D NN.131/L C.740	Bolt , securing Stem and Plate Assembly to Brake Pedal Nut on Bolt Washer , Shakeproof, under Nut		1 1 1	
C.8166	RUBBER GROMMET, ON TOEBOARD, SEALING BRAKE PEDAL STEM	AA.14	1	} FITTED TO OPEN AND DROP HEAD COUPE ONLY.
C.8298	Ferrule (Plastic) inside Rubber Grommet	AA.15	1	
C.8299	FELT SEAL ON BRAKE PEDAL STEM UNDER TOEBOARD	AA.16	1	} FITTED TO ALL MODELS.
C.8301	Circlip , retaining Felt Seal in position on Brake Pedal Stem (Terry 1359)	AA.17	1	
792	RUBBER PAD ON BRAKE PEDAL PLATE	AA.18	1	FITTED TO OPEN AND DROP HEAD COUPE ONLY.
C.9934	RUBBER PAD ON BRAKE PEDAL PLATE		1	FITTED TO FIXED HEAD COUPE ONLY.
C.8302	BRAKE MASTER CYLINDER ASSEMBLY (COMPLETE WITH PUSH ROD) (LOCKHEED 39218)	AA.19	1	
28928	Body only	AA.20	1	
3820	Valve Assembly at rear end of Master Cylinder	AA.21	1	
21412	Body			
431	Spring for return of Piston	AA.22	1	
112	Retainer on Spring	AA.23	1	
	Seal , Main, at end of Spring	AA.24	1	

BRAKE CONTROLS

Part No.	Description	Plate No.	No. per Unit	Remarks
BRAKE MASTER CYLINDER (continued)				
27979	Disc, between Main Seal and Piston	AA.25	1	
21421	Piston	AA.26	1	
400	Seal, Secondary, on Piston	AA.27	1	
1002	Washer, behind Piston	AA.28	1	
KL.47011	Circlip, retaining Piston	AA.29	1	
39217	Push-Rod, operating Piston	AA.30	1	
437	Boot over end of Push Rod	AA.31	1	
15097	Filler Plug on top of Master Cylinder Body	AA.32	1	
KL.44547	Gasket for Filler Plug	AA.33	1	
NB.137/24D	Bolt, securing Master Cylinder to Chassis Frame		2	
C.720	Washer, Shakeproof, on Bolts		2	
C.4105	Plate, Tapped, receiving Bolts		1	
KL.71410	REPAIR KIT FOR SERVICING OF C.8302 MASTER CYLINDER			
FITTINGS FOR BRAKE MASTER CYLINDER				
C.8562	Banjo at outlet end of Master Cylinder (23775)	AA.34	1	
C.3900	Bolt, securing Banjo (8048)	AA.35	1	
C.3925	Gasket (Small) on Banjo Bolt (KL.44518)	AA.36	1	
C.3926	Gasket (Large) on Banjo Bolt (KL.44522)	AA.37	1	
C.5218	Switch, operating Stop Light (Lucas 31082/B)	AA.38	1	
C.8563	Connector in Inlet Adaptor at top of Master Cylinder (464)	AA.39	1	
C.3927	Gasket on Connector (KL.44519)	AA.40	1	
C.3902	Banjo for Inlet Adaptor at top of Master Cylinder (1641)		1	
C.3903	Bolt, securing Banjo to Master Cylinder (237)		1	
C.3927	Gasket (Small) on Banjo Bolt (44519)		1	
C.3928	Gasket (Large) on Banjo Bolt (44524)		1	
C.8291	Operating Rod, connecting Push Rod on Master Cylinder to Fork-End on Brake Pedal	AA.41	1	
NN.237/L	Nut, locking Operating Rod to Push Rod and Fork-End	AA.42	2	
C.8565	SUPPLY TANK (LOCKHEED 1150/3)	AA.43	1	
NB.125/7D	Bolt, securing Supply Tank		1	
C.5181	Distance Piece on Bolt		1	
NN.125/L	Nut on Bolt		1	
C.724	Washer, Shakeproof, under Nut		1	
				} NOT REQUIRED FOR L.H. DRIVE FIXED HEAD COUPE. } FITTED TO L.H. DRIVE FIXED HEAD COUPE ONLY.
				} FITTED TO R.H. DRIVE OPEN AND DROP HEAD COUPE ONLY.

BRAKE CONTROLS

Part No.	Description	Plate No.	No. per Unit	Remarks
C.8870	BRACKET, MOUNTING SUPPLY TANK		1	} FITTED TO L.H. DRIVE CARS ONLY.
NS.125/5D	Screw, Set, securing Bracket		3	
NN.125/L	Nut on Setscrews		3	
C.724	Washer, Shakeproof, under Nuts		3	
C.9581	BRACKET, MOUNTING SUPPLY TANK		1	} FITTED TO R.H. DRIVE FIXED HEAD COUPE ONLY.
NS.125/5D	Screw, Set, securing Bracket		3	
NN.125/L	Nut on Setscrews		3	
C.724	Washer, Shakeproof, under Nuts		3	
BD.10288	BRACKET, MOUNTING SUPPLY TANK		1	} THESE ITEMS ARE REQUIRED FOR R.H. DRIVE FIXED HEAD COUPE ONLY WHEN ENGINE IS FITTED WITH "C" TYPE CYLINDER HEAD.
NS.125/5D	Screw, Set, securing Bracket		1	
NN.125/L	Nut on Setscrews		1	
C.724	Washer, Shakeproof, under Nut		1	
C.8030	PIPE FROM SUPPLY TANK TO LOW PRESSURE HOSE AND LOW PRESSURE HOSE TO MASTER CYLINDER	AA.44	2	FITTED TO R.H. DRIVE OPEN, DROP HEAD COUPE AND FIXED HEAD COUPE.
C.7189	PIPE FROM SUPPLY TANK TO LOW PRESSURE HOSE		1	} FITTED TO L.H. DRIVE OPEN AND DROP HEAD COUPE ONLY.
C.9796	PIPE FROM LOW PRESSURE HOSE TO MASTER CYLINDER		1	

BRAKE CONTROLS

Part No.	Description	Plate No.	No. per Unit	Remarks
C.9796	PIPE FROM SUPPLY TANK TO LOW PRESSURE HOSE		1	} FITTED TO L.H. DRIVE FIXED HEAD COUPE ONLY.
C.9175	PIPE FROM LOW PRESSURE HOSE TO MASTER CYLINDER		1	
C.9796	PIPE FROM SUPPLY TANK TO LOW PRESSURE HOSE		1	} REQUIRED FOR R.H. DRIVE FIXED HEAD COUPE ONLY WHEN ENGINE IS FITTED WITH "C" TYPE CYLINDER HEAD.
C.7189	PIPE FROM LOW PRESSURE HOSE TO MASTER CYLINDER		1	
C.3730	LOW PRESSURE HOSE BETWEEN SUPPLY TANK AND MASTER CYLINDER (I674I)	AA.45	1	
C.7208	Clip, securing Low Pressure Hose to Feed Pipes between Supply Tank and Master Cylinder (K.20202)	AA.46	2	
C.8314	HANDBRAKE LEVER ASSEMBLY	AA.47	1	FITTED TO R.H. DRIVE CARS ONLY.
C.8315	HANDBRAKE LEVER ASSEMBLY		1	FITTED TO L.H. DRIVE CARS ONLY.
	NOTE : HANDBRAKE LEVER SUPPLIED ONLY AS A COMPLETE ASSEMBLY.			
NS.137/5D C.726	Screw, Set, securing Handbrake Lever Washer, Shakeproof, on Setscrews		3 3	
C.8318	SHAFT, SUPPORTING OPERATING LEVERS	AA.48	1	

BRAKE CONTROLS

Part No.	Description	Plate No.	No. per Unit	Remarks
C.8317	LEVER, AT END OF SHAFT, FOR ATTACHMENT OF HANDBRAKE CONNECTING LINK	AA.49	1	
C.3656	LEVER, IN CENTRE OF SHAFT, FOR OPERATION OF HANDBRAKE CABLE	AA.50	1	
C.755	Key , locating Levers on Shaft	AA.51	2	
NB.131/12D	Bolt , securing Levers to Shaft		2	
NN.131/L	Nut on Bolts		2	
C.725	Washer , Shakeproof, under Nuts		2	
C.3722	SPRING, ON SUPPORT SHAFT, BETWEEN LEVERS	AA.52	1	
C.8316	LINK, CONNECTING HANDBRAKE LEVER WITH LEVER AT END OF SUPPORT SHAFT	AA.53	1	
J.106/16S	Clevis Pin , securing Link to Handbrake Lever	AA.54	1	
J.106/11S	Clevis Pin , securing Link to Lever on Support Shaft	AA.55	1	
FW.106/T	Washer , Plain, on Clevis Pins	AA.56	2	
L.103/6U	Pin , Split, retaining Clevis Pins	AA.57	2	
C.3322	COMPENSATOR ROD ASSEMBLY, FOR ADJUSTMENT OF HANDBRAKE CABLE	AA.58	1	
C.3264	Spring , on Compensator Rod	AA.59	1	
C.3265	Trunnion , behind Spring on Compensator Rod	AA.60	1	
C.3266	Nut , Barrel, on Rod, for Compensator Adjustment	AA.61	1	

BRAKE CONTROLS

Part No.	Description	Plate No.	No. per Unit	Remarks
C.3274/1	COMPENSATOR ASSEMBLY FOR HANDBRAKE CABLE	AA.62	1	
J.106/10S	Clevis Pin , securing Compensator to Compensator Rod	AA.63	1	
FW.106/T	Washer , Plain, on Clevis Pin	AA.64	1	
L.103/6U	Pin , Split, retaining Clevis Pin	AA.65	1	
C.6677	HANDBRAKE CABLE ASSEMBLY OPERATING REAR BRAKES (GB.43022)	AA.66	1	
C.5066	Spring , Return, at ends of Handbrake Cable	AA.67	2	
C.5067	Retainer for Return Springs	AA.68	2	
J.105/11S	Clevis Pin , securing Fork Ends on Cable to Operating Levers on Rear Brakes	AA.69	2	
FW.105/T	Washer , Plain, on Clevis Pins	AA.70	2	
L.103/7U	Pin , Split, securing Clevis Pins	AA.71	2	
C.7859	CLIP, SECURING HANDBRAKE CABLE TO L.H. REAR AXLE TUBE	AA.72	1	
C.7875	CLIP, SECURING HANDBRAKE CABLE TO R.H. REAR AXLE TUBE	AA.73	1	
NS.325/5H	Screw , Set, securing Clips		2	
NN.125/L	Nut , on Setscrews		2	
C.724	Washer , Shakeproof, under Nuts		2	
C.8389	ABUTMENT ASSEMBLY FOR HAND- BRAKE CABLE	AA.74	1	
NB.131/11D	Bolt , Clinch, securing Handbrake Cable in Abutment Blocks		2	
NN.131/L	Nut on Clinch Bolts		2	
C.725	Washer , Shakeproof, under Nuts		2	
NS.125/4D	Bolt , securing Abutment Assembly		4	
C.724	Washer , Shakeproof, on Bolts		4	

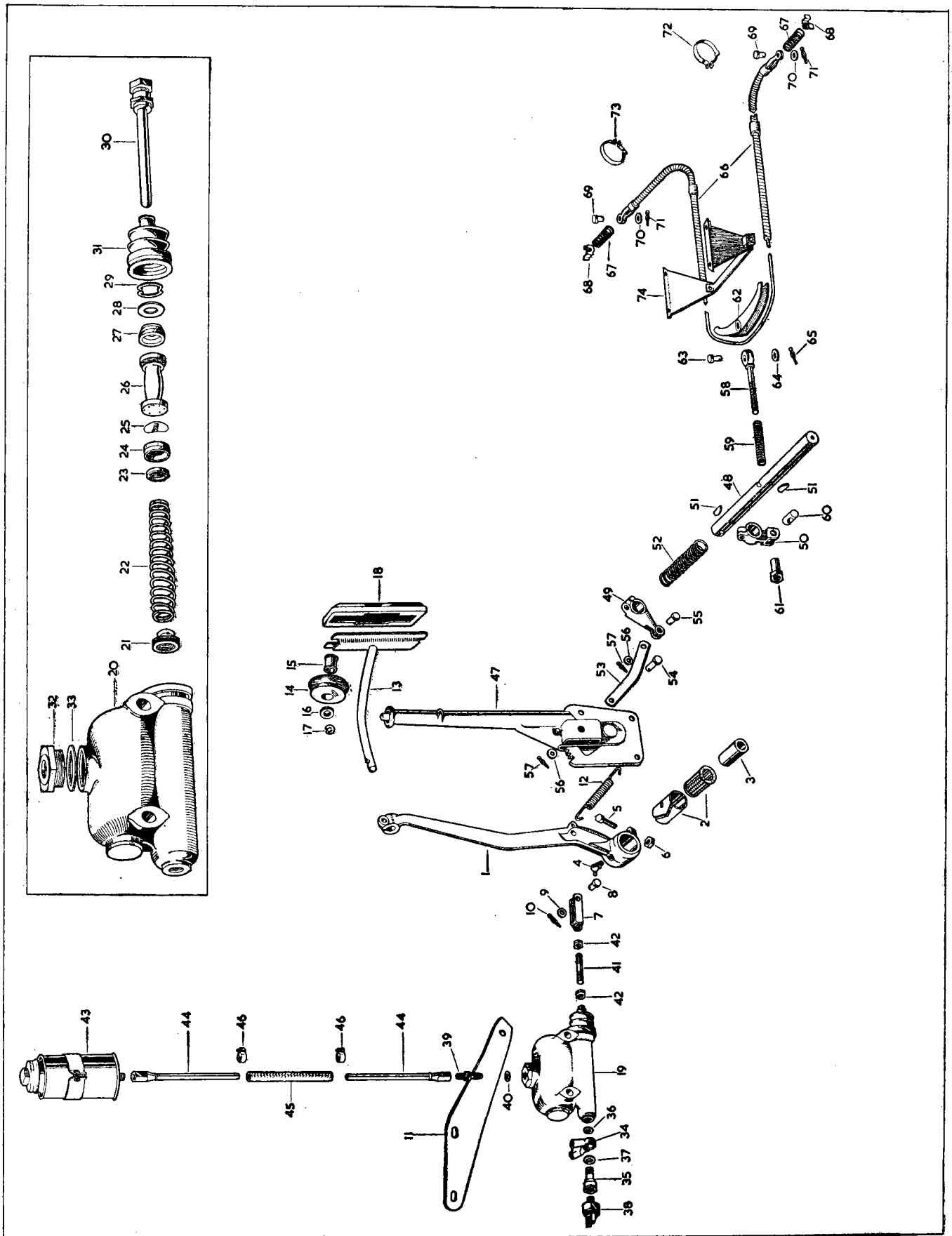


PLATE AA

HYDRAULIC BRAKE PIPES RIGHT-HAND DRIVE CARS ONLY

Part No.	Description	Plate No.	No. per Unit	Remarks
C.8568	PIPE FROM MASTER CYLINDER TO 3-WAY UNION ON CHASSIS FRAME (T.4/21B)	AB.1	1	
C.3922	Union, Three-way, on Chassis Frame and Rear Axle (7965)	AB.2	2	
FS.106/4D	Screw, Set, securing 3-way Union to Brackets on Chassis Frame and Rear Axle		2	
C.726	Washer, Shakeproof, on Setscrews		2	
C.8032	PIPE FROM 3-WAY UNION ON CHASSIS FRAME TO FLEXIBLE HOSE ON R.H. FRONT BRAKE (T.4/12½B)	AB.3	1	
C.8033	PIPE FROM 3-WAY UNION ON CHASSIS FRAME TO FLEXIBLE HOSE ON L.H. FRONT BRAKE (T.4/33B)	AB.4	1	
C.3909	FLEXIBLE HOSE, FRONT AND REAR (KL.51724)	AB.5	3	
C.3910	Nut, locking Flexible Hoses to Brackets (23897)	AB.6	3	
C.3911	Washer, Shakeproof, under Nuts (K.19411)	AB.7	3	
C.3925	Gasket at joint of Flexible Hoses (KL.44518)	AB.8	3	
C.8569	PIPE FROM MASTER CYLINDER TO TUBE CONNECTOR (T.4A/47B)	AB.9	1	
C.3923	Tube Connector at side of Chassis Frame for joint of Brake Pipes (5248)	AB.10	1	
C.8570	PIPE FROM TUBE CONNECTOR TO FLEXIBLE HOSE ON REAR AXLE (T.4A/50B)	AB.11	1	

HYDRAULIC BRAKE PIPES RIGHT-HAND DRIVE CARS ONLY

Part No.	Description	Plate No.	No. per Unit	Remarks
C.8034	PIPE FROM 3-WAY UNION ON REAR AXLE TO R.H. REAR BRAKE (T.4/28B)	AB.12	1	
C.8035	PIPE FROM 3-WAY UNION ON REAR AXLE TO L.H. REAR BRAKE (T.4/50B)	AB.13	1	
C.7860	Clip, securing Rear Brake Pipes to Axle Tubes	AB.14	2	
NS.325/8H	Screw, Set, securing Clips		2	
NN.125/L	Nut on Setscrews		2	
C.724	Washer, Shakeproof, under Nuts		2	
C.3529	Clip (Trimount 304) securing Brake Pipes to Chassis Frame	AB.15	7	

HYDRAULIC BRAKE PIPES LEFT-HAND DRIVE CARS ONLY

Part No.	Description	Plate No.	No. per Unit	Remarks
C.8041	PIPE FROM 3-WAY UNION ON REAR AXLE TO R.H. REAR BRAKE (T.4/50B)	AB.27	1	
C.8042	PIPE FROM 3-WAY UNION ON REAR AXLE TO L.H. REAR BRAKE (T.4/28B)	AB.28	1	
C.7860	Clip, securing Rear Brake Pipes to Axle Tubes	AB.29	2	
NS.325/8H	Screw, Set, securing Clips		2	
NN.125/L	Nut on Setscrews		2	
C.724	Washer, Shakeproof, under Nuts		2	
C.3529	Clip (Trimount 304) securing Brake Pipes to Chassis Frame	AB.30	7	

HYDRAULIC BRAKE PIPES LEFT-HAND DRIVE CARS ONLY

Part No.	Description	Plate No.	No. per Unit	Remarks
C.8571	PIPE FROM MASTER CYLINDER TO 3-WAY UNION ON CHASSIS FRAME (T.4/21B)	AB.16	1	
C.3922	Union, 3-way, on Chassis Frame and Rear Axle (7965)	AB.17	2	
FS.106/4D			2	
C.726	Washer, Shakeproof, on Setscrews		2	
C.8039	PIPE FROM 3-WAY UNION ON CHASSIS FRAME TO FLEXIBLE HOSE ON L.H. FRONT BRAKE (T.4/12½B)	AB.18	1	
C.8040	PIPE FROM 3-WAY UNION ON CHASSIS FRAME TO FLEXIBLE HOSE ON R.H. FRONT BRAKE (T.4/33B)	AB.19	1	
C.3909	FLEXIBLE HOSE, FRONT AND REAR (KL.51724)	AB.20	3	
C.3910	Nut, locking Flexible Hoses to Brackets (23897)	AB.21	3	
C.3911	Washer, Shakeproof, under Nuts (KL.19411)	AB.22	3	
C.3925	Gasket at joint of Flexible Hoses (KL.44518)	AB.23	3	
C.8572	PIPE FROM MASTER CYLINDER TO TUBE CONNECTOR (T.4A/47B)	AB.24	1	
C.3923	Tube Connector at side of Chassis Frame for joint of Brake Pipes (5248)	AB.25	1	
C.8573	PIPE FROM TUBE CONNECTOR TO FLEXIBLE HOSE ON REAR AXLE (T.4A/50B)	AB.26	1	

